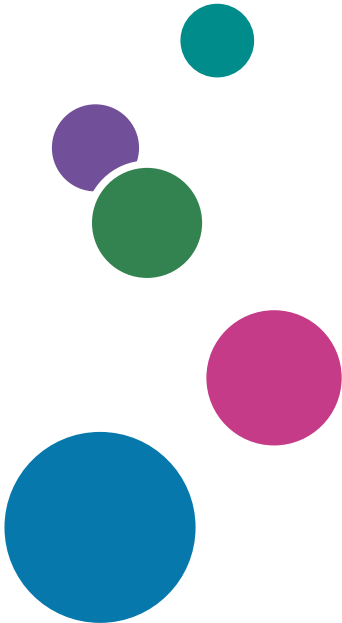


# P C300W/C301W



## User's Guide



For safe and correct use, be sure to read the "Safety Information" before using the machine.



# TABLE OF CONTENTS

---

How to Find Information about Operations and Troubleshooting.....	7
Operating Manual (Printed).....	7
Operating Manual (Digital Format).....	7
How to Read This Manual.....	9
Introduction.....	9
Symbols Used in This Manual.....	9
Model-Specific Information.....	9
Disclaimer.....	10
Notes.....	10
Note to Administrator.....	11
List of Option.....	11
About IP Address.....	12

## 1. Guide to the Machine

---

Guide to Components.....	13
Exterior:Front View.....	13
Exterior: Rear View.....	15
Interior.....	16
Control Panel.....	17
Installing Option.....	19
Attaching Paper Feed Unit.....	19
About Operation Tools.....	22
Using RICOH Smart Device Connector.....	23
Connecting a Smart Device to the Machine Using NFC.....	24
Writing the Machine's Information to the NFC with a Smart Device.....	24
Using the Application on a Smart Device by Using NFC.....	24

## 2. Paper Specifications and Adding Paper

---

Workflow for Loading Paper and Configuring Paper Sizes and Types.....	25
Loading Paper.....	26
Loading Paper into Tray 1 and 2.....	26
Loading Paper into Bypass Tray.....	31
Loading Envelopes.....	32
Specifying Paper Type and Paper Size Using the Control Panel.....	34
Specifying the Paper Type.....	34

---

Specifying the Standard Paper Size.....	35
Specifying a Custom Paper Size.....	35
Specifying Paper Type and Paper Size Using Web Image Monitor.....	37
Specifying a Custom Paper Size.....	37
Specifying Paper Type and Paper Size Using the Printer Driver.....	38
When Using Windows.....	38
When Using OS X/macOS.....	39
Supported Paper.....	40
Specifications of Paper Types.....	43
Non-Recommended Paper Types.....	50
Paper Storage.....	50
Print Area.....	51
<b>3. Printing Documents</b>	
What You Can Do with the Printer Function.....	53
Configuring Option Settings for the Printer.....	54
Conditions for Bidirectional Communication.....	54
If Bidirectional Communication is Disabled.....	54
Displaying the Printing Preferences Dialog Box.....	57
Displaying the Printing Preferences Dialog Box from the [Start] Menu.....	57
Displaying the Printing Preferences Dialog Box in an Application.....	57
Basic Operation of Printing.....	59
When Using Windows.....	59
When Using macOS/OS X.....	59
If a Paper Mismatch Occurs.....	60
Canceling a Print Job.....	61
Printing Confidential Documents.....	63
Storing a Locked Print file.....	63
Printing a Locked Print File.....	64
Deleting a Locked Print File.....	65
Using Various Print Functions.....	66
Print Quality Functions.....	66
Print Output Functions.....	67

---

## 4. Configuring the Machine Using the Control Panel

---

Basic Operation.....	69
Menu Chart.....	70
Admin. Tools.....	71
Printer Settings.....	73
List/Test Print.....	73
System.....	73
PCL Menu.....	74
PS Menu.....	76
System Settings.....	77
Tray Paper Settings.....	81
Network Settings.....	84
Print List/Report.....	88
Printing the Configuration Page.....	88
Types of Lists/Reports.....	88
@Remote.....	89

## 5. Configuring the Machine Using Utilities

---

Available Setting Functions Using Web Image Monitor.....	91
Using Web Image Monitor.....	92
Displaying Top Page.....	93
Changing the Interface Language.....	94
Checking the System Information.....	95
Status Tab.....	95
Counter Tab.....	96
Machine Information Tab.....	98
Configuring the System Settings.....	99
Tray Paper Settings Tab.....	99
I/O Timeout Tab.....	102
Black-and-White Print Priority Tab.....	102
Restricting Machine Functions According to User.....	103
Enabling the User Restriction Settings.....	103
When Machine Functions are Restricted.....	106
Configuring the Network Settings.....	107

---

Network Status Tab.....	107
IPv6 Configuration Tab.....	108
Network Application Tab.....	108
DNS Tab.....	109
Auto E-mail Notification Tab.....	110
SNMP Tab.....	111
SMTP Tab.....	112
POP3 Tab.....	112
Wireless Tab.....	113
Certificate Tab.....	115
Configuring the IPsec Settings.....	116
IPsec Global Settings Tab.....	116
IPsec Policy List Tab.....	116
Printing Lists/Reports.....	120
Configuring the Administrator Settings.....	121
Administrator Tab.....	121
Reset Settings Tab.....	121
Backup Setting Tab.....	121
Restore Setting Tab.....	122
Energy Saver Mode Tab.....	123

## **6. Maintaining the Machine**

---

Replacing the Print Cartridge.....	125
Replacing the Waste Toner Bottle.....	130
Replacing a Component.....	136
Replacing the Intermediate Transfer Unit.....	136
Replacing the Fusing Unit and Transfer Roller.....	136
Cautions When Cleaning.....	137
Cleaning the Toner Density Sensor.....	138
Cleaning the Friction Pad and Paper Feed Roller.....	140
Cleaning the Registration Roller and Paper Tray.....	143
Moving and Transporting the Machine.....	146
Disposal.....	147
Where to Inquire.....	147

---

## 7. Troubleshooting

---

Error and Status Messages on the Control Panel.....	149
Panel Indicator.....	153
Removing Paper Jams.....	154
Removing Printing Jams.....	154
When You Cannot Print Test Page.....	162
Paper Feed Problems.....	163
Print Quality Problems.....	166
Checking the Condition of the Machine.....	166
Checking the Printer Driver Settings.....	167
Printer Problems.....	169
When You Cannot Print Properly.....	169
When You Cannot Print Clearly.....	172
When Paper Is Not Fed or Ejected Properly.....	176
Other Printing Problems.....	176
Common Problems.....	177

## 8. Configuring Network Settings

---




Connecting the Machine to a Wired Network.....	179
Configuring the IPv4 Setting.....	179
Configuring the IPv6 setting.....	180
Connecting the Machine to a Wireless Network.....	181
Using the Wi-Fi Setup Wizard.....	181
Using the WPS Button.....	183
Using a PIN Code.....	184

## 9. Appendix

---

Transmission Using IPsec.....	187
Encryption and Authentication by IPsec.....	187
Security Association.....	188
Encryption Key Exchange Settings Configuration Flow.....	189
Specifying Encryption Key Exchange Settings.....	189
Specifying IPsec Settings on the Computer.....	190
Enabling and Disabling IPsec Using the Control Panel.....	192
Notes About the Toner.....	193

---

Specifications of the Machine.....	194
General Function Specifications.....	194
Printer Function Specifications.....	196
Paper Feed Unit TK1 220.....	196
Consumables.....	198
Print Cartridge.....	198
Waste Toner Bottle.....	199
Information for This Machine.....	200
User Information on Electrical & Electronic Equipment  <b>Region A</b> (mainly Europe and Asia).....	200
Note for the Battery and/or Accumulator Symbol (For EU countries only).....	201
Environmental Advice for Users  <b>Region A</b> (mainly Europe).....	201
Note to Users EU Countries.....	202
Notes to users in the state of California (Notes to Users in USA).....	203
Notes to users in the United States of America.....	203
Notes to Canadian Users of Wireless Devices.....	204
ENERGY STAR Program  <b>Region B</b> .....	206
Saving Energy.....	206
Trademarks.....	208
<b>INDEX</b> .....	211



---

# How to Find Information about Operations and Troubleshooting

You can find support information about operating the machine and troubleshooting in the Operating Manual (printed), Operating Manual (digital format), and Help (online).

---

## Operating Manual (Printed)

---

The following manuals are provided with this machine.

### Safety Information

This manual explains the safety precautions that should be followed when using the machine. Be sure to read this manual before using the machine.

### Setup Guide

This manual explains how to set up the machine. It also explains how to remove the machine from the packaging and how to connect it to a computer.

---

## Operating Manual (Digital Format)

---

Operating manuals can be viewed from Ricoh's website or from the provided CD-ROM.

### Viewing from a web browser

Access the Internet from a web browser.

Confirm that the computer or the machine is connected to the network.

Download the operating manuals from <https://www.ricoh.com/>.

### Viewing from the provided CD-ROM

Operating manuals can also be viewed from the provided CD-ROM.

- When using Windows

1. Insert the CD-ROM into the CD-ROM drive.
2. Click [Read Manual] and follow the instructions on the screen.

The PDF file manual opens.

- When using OS X/macOS

1. Insert the CD-ROM into the CD-ROM drive.
2. Double-click *Manuals.htm* file, located on the CD-ROM root directory.
3. Select the language.
4. Click [Read PDF manuals].

---

**5. Click the manual you want to refer to.**

The PDF file manual opens.

---

# How to Read This Manual

---

## Introduction

---

This manual contains detailed instructions and notes on the operation and use of this machine. For your safety and benefit, read this manual carefully before using the machine. Keep this manual in a handy place for quick reference.

---

## Symbols Used in This Manual

---

This manual uses the following symbols:

### ★ Important

Indicates points to pay attention to when using functions. This symbol indicates points that may result in the product or service becoming unusable or result in the loss of data if the instructions are not obeyed. Be sure to read these explanations.

### ↓ Note

Indicates supplementary explanations of the product's functions and instructions on resolving user errors.

[ ]

Indicates the names of keys on the machine's display or control panels.

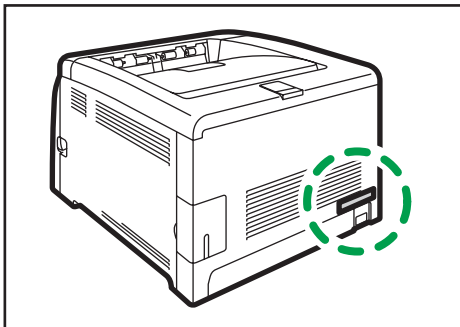
---

## Model-Specific Information

---

This section explains how you can identify the region your machine belongs to.

There is a label on the rear of the machine, located in the position shown below. The label contains details that identify the region your machine belongs to. Read the label.



DUE202

---

The following information is region-specific. Read the information under the symbol that corresponds to the region of your machine.

 **Region A** (mainly Europe and Asia)

If the label contains the following, your machine is a region A model:

- CODE XXXX -27
- 220–240 V

 **Region B** (mainly North America)

If the label contains the following, your machine is a region B model:

- CODE XXXX -17
- 120–127 V

 **Note**

- Dimensions in this manual are given in two units of measure: metric and inch. If your machine is a Region A model, refer to the metric units. If your machine is a Region B model, refer to the inch units.

---

## Disclaimer

---

To the maximum extent permitted by applicable laws, in no event will the manufacturer be liable for any damages whatsoever arising out of failures of this machine, losses of the registered data, or the use or non-use of this product and operation manuals provided with it.

Make sure that you always copy or have backups of the data registered in this machine. Documents or data might be erased due to your operational errors or malfunctions of the machine.

In no event will the manufacturer be responsible for any documents created by you using this machine or any results from the data executed by you.

---

## Notes

---

Contents of this manual are subject to change without prior notice.

Two kinds of size notation are employed in this manual.

Some illustrations in this manual might be slightly different from the machine.

Certain options might not be available in some countries. For details, please contact your local dealer.

Depending on which country you are in, certain units may be optional. For details, please contact your local dealer.

For good output quality, the manufacturer recommends that you use genuine toner from the manufacturer.

---

The manufacturer shall not be responsible for any damage or expense that might result from the use of parts other than genuine parts from the manufacturer with your office products.

---

## Note to Administrator

---

### Password

---

Certain configurations of this machine can be password-protected to prevent unauthorized modifications by others. We strongly recommend you to create your own password immediately.

The following are the operations that can be password-protected:

- Entering the [Network Settings], [Wi-Fi Setup Wizard], or [Admin. Tools] menu using the control panel

You can access these menus without a password by factory default.

The setting for creating a password can be found in [Admin. Tools].

- Configuring the [System Settings], [Network Settings], [IPsec Settings], or [Administrator Tools] menu using Web Image Monitor

You can configure the machine using Web Image Monitor without a password by factory default.

The setting for creating a password can be found in [Administrator Settings].

For details about creating passwords, see page 121 "Configuring the Administrator Settings".

### User Restriction

---

You can restrict the use of certain functions of this machine to users with proper authentication.

Using Web Image Monitor, you can select the functions you want to restrict, and register the users who can use that function upon authentication.

#### Note

- For details about creating passwords and configuring the user restriction settings, see page 103 "Restricting Machine Functions According to User".

---

### List of Option

---

Option List	Referred to as
Paper Feed Unit TK1220	Paper feed unit

---

**Note**

- If Paper feed unit is attached, "Tray 2" appears on the machine's control panel.

---

## About IP Address

---

In this manual, "IP address" covers both IPv4 and IPv6 environments. Read the instructions that are relevant to the environment you are using.

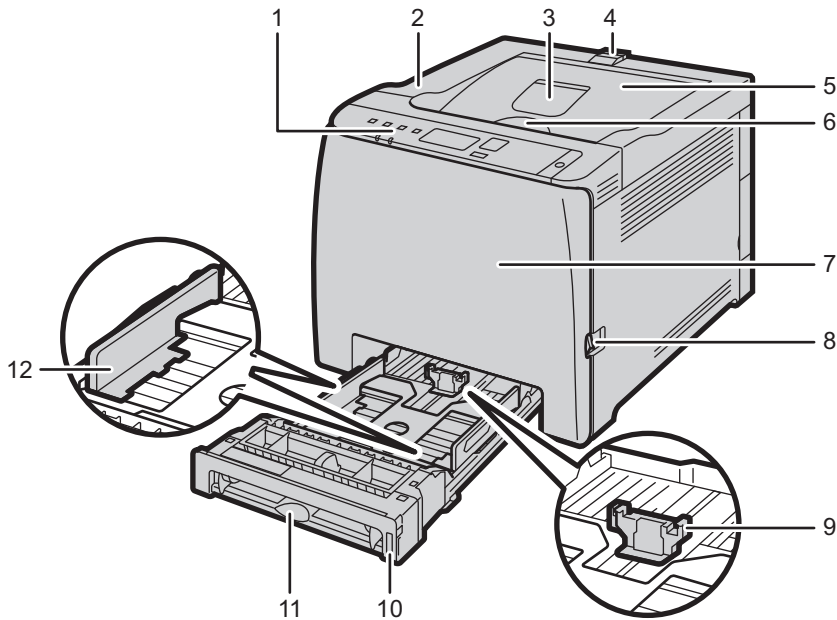
# 1. Guide to the Machine

This chapter describes preparations for using the machine and its operating instructions.

## Guide to Components

This section introduces the names of the various parts on the front and rear side of the machine and outlines their functions.

### Exterior:Front View



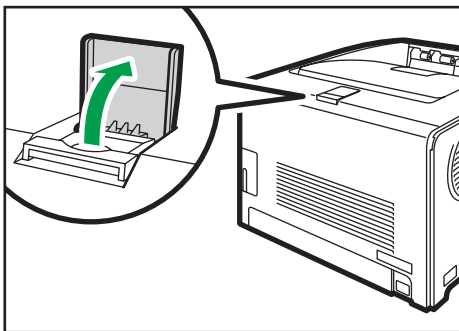
ECB102

No.	Name	Description
1	Control Panel	Contains keys for machine control and indicators that show the machine status.
2	Top Cover	Open this cover to replace the print cartridge.
3	Standard Tray Extension	Use this to support sheets that come out curled after they are printed. Flip open the extension by pushing down on the end that is toward the rear of the machine.

No.	Name	Description
4	Stop Fences	Pull up this fence to prevent paper falling off when printing a large amount of paper at a time. The fence can be adjusted at the A4/Letter or Legal size position.
5	Standard Tray	Delivered sheets are stacked here with the print side down.
6	Top Cover Open Lever	Open here to replace the print cartridges.
7	Front Cover	Open this cover to replace the waste toner bottle or remove jammed paper.
8	Front Cover Open Lever	To open the front cover, pull this lever on the right side of the machine.
9	End Fence	Adjust this fence to the paper size.
10	Tray 1	This tray can hold up to 250 sheets of plain paper.
11	Bypass Tray	Load paper here sheet by sheet.
12	Side Fence	Adjust this fence to the paper size.

**Note**

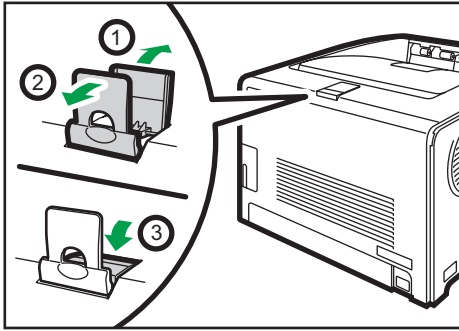
- Pull up the retainer as shown below to prevent A4- or Letter-size prints from falling off.



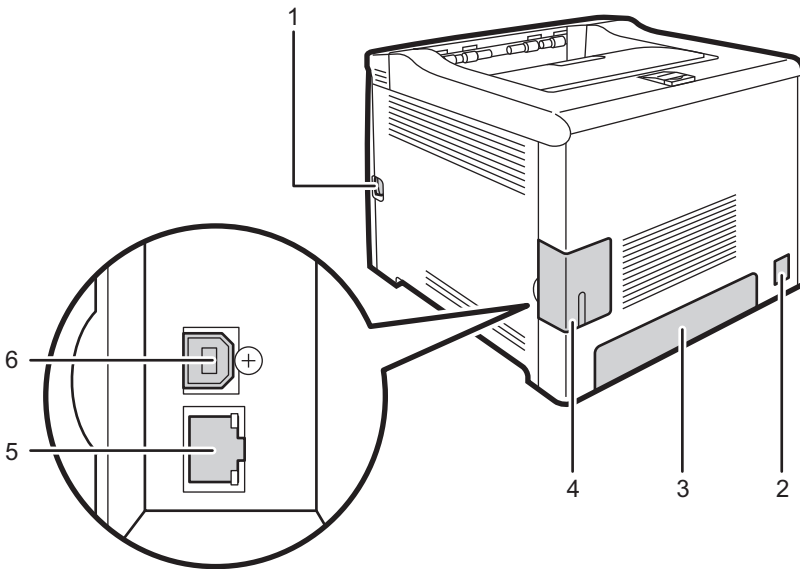
DUE209

- Pull up the retainer as shown below to prevent Legal-size prints from falling off.





**Exterior: Rear View**

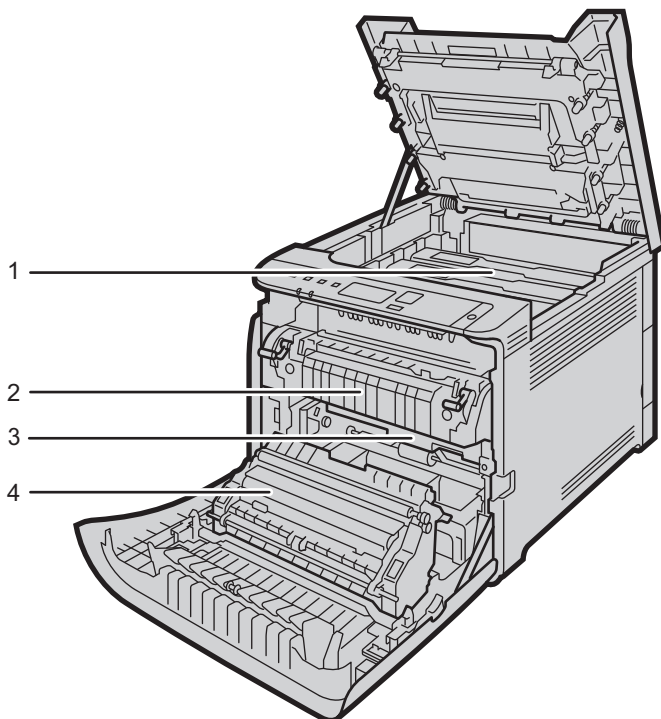


ECB105

No.	Name	Description
1	Front Cover Open Lever	To open the front cover, pull this lever on the right side of the machine.
2	Power Socket	For connecting the power cord to the machine.
3	Rear Cover	Remove this cover when loading paper longer than A4 in Tray 1.
4	Cable Cover	Remove this cover when connecting cables to the machine.

No.	Name	Description
5	Ethernet Port	For connecting the machine to the network using a network interface cable.
6	USB Port	For connecting the machine to a computer using a USB cable.

## Interior



ECB106

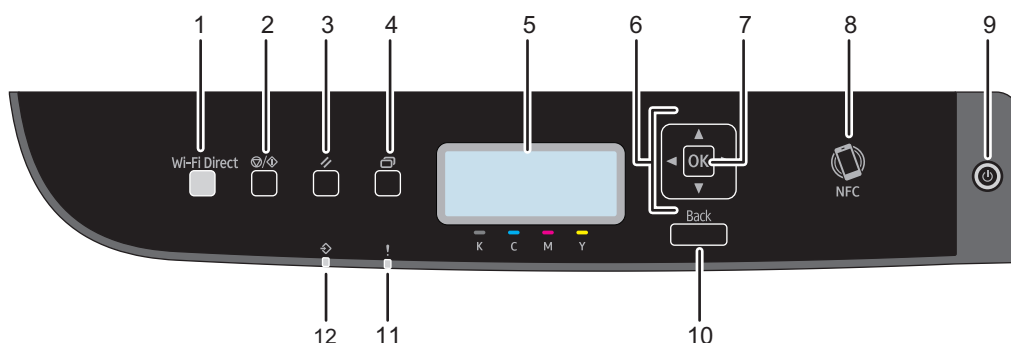
No.	Name	Description
1	Print Cartridge	Install the print cartridges from the machine rear, in the order of cyan (C), magenta (M), yellow (Y), and black (K). Messages appear on the screen when print cartridges need to be replaced, or new ones need to be prepared.
2	Fusing Unit	Fuses toner to the paper. You might have to move this unit to check for or remove jammed paper.

No.	Name	Description
3	Waste Toner Bottle	Collects toner that is wasted during printing.
4	Transfer unit	You need to remove this when you replace the waste toner bottle.

**Note**

- For details about the messages that appear on the screen when consumables need to be replaced, see page 149 "Error and Status Messages on the Control Panel".

## Control Panel



ECB201

No.	Name	Description
1	[Wi-Fi Direct] key	Pressing this key while Wi-Fi is disabled activates Wi-Fi and reboots the machine automatically. Press this key while Wi-Fi is enabled to activate or deactivate the Wi-Fi Direct function. This indicator lights blue when the Wi-Fi Direct function is active. After a long press of this key, configure the WPS using the PIN code or in PBC mode. For details, see Setup Guide.
2	[Stop/Start] key	Press this key to stop receiving incoming data from the computer.
3	[Job Reset] key	Press this key to cancel a job that is currently being printed or received.
4	[Menu] key	Press this key to configure or check the machine settings. Press the [Menu] key again to return to the initial screen.

No.	Name	Description
5	Display	Displays the current status and messages.
6	Scroll Keys	Press to move the cursor in the direction indicated by the key.
7	[OK] key	Press this key to confirm settings and setting values, or move to the next menu level.
8	NFC	Allows you to connect a smart device to the machine when you touch NFC on a smart device using the application corresponding to the machine.
9	[Power] key	<p>Press to turn on and turn off the main power. To turn off the machine, press and hold down this key for at least three seconds. This indicator lights up blue when the machine is turned on.</p> <p>If the machine's system is busy, the power may not be turned off even though you press and hold down this key for three seconds. If this is the case, press and hold down the [Back] key and [Power] key simultaneously for at least three seconds to force the machine to turn off.</p> <p>Do not accidentally press the [Power] key within 3 minutes of disconnecting the power cord.</p>
10	[Back] key	Press to cancel the last operation or to return to the previous level of the menu tree.
11	Alert Indicator	Lights up in red whenever an error occurs. Check the displayed error message. Flashes in yellow when the toner has nearly run out.
12	Data In Indicator	Flashes when the machine is receiving data from a computer. This indicator lights up when there is a Locked Print file stored in the machine.

# Installing Option

This section explains how to install options.

1

## Attaching Paper Feed Unit

### **WARNING**

- Touching the prongs of the power cable's plug with anything metallic constitutes a fire and electric shock hazard.
- It is dangerous to handle the power cord plug with wet hands. Doing so could result in electric shock.

### **CAUTION**

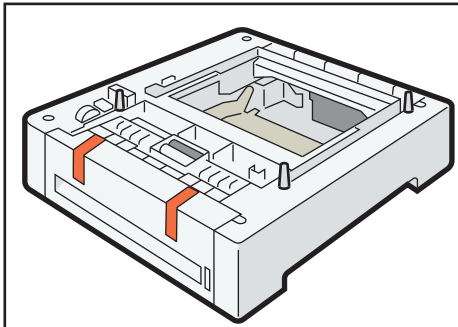
- Before installing or removing options, always disconnect the power cord plugs from the wall outlet and allow time for the main unit to fully cool. Failing to take these precautions could result in burns.
- The printer weighs approximately 25 kg (56 lb.). When moving the printer, use the inset grips on both sides, and lift slowly in pairs.
- Lifting the paper feed unit carelessly or dropping may cause injury.
- Before moving the machine, unplug the power cord from the wall outlet. If the cord is unplugged abruptly, it could become damaged. Damaged plugs or cords can cause an electrical or fire hazard.

### **Important**

- Tray 1 is required to print using the optional paper feed unit. Without Tray 1, paper jams will occur.
- The machine must be lifted by two people.
- Do not hold the tray to lift the machine.

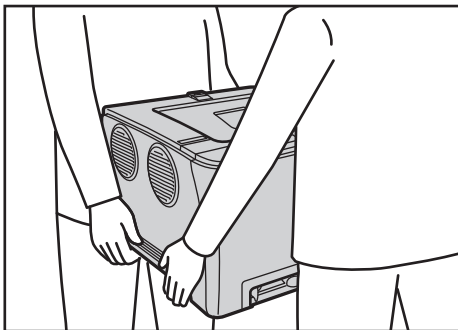
1. Confirm that the following is true: The machine's cord is unplugged from the wall outlet.

**2. Remove the adhesive tape from the optional paper feed unit.**



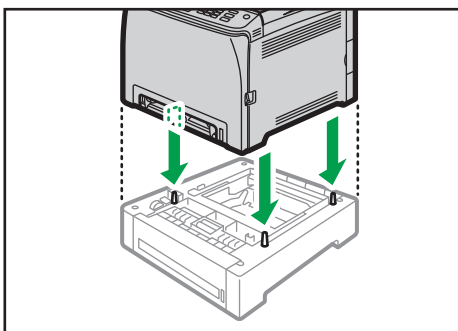
DPP210

**3. Standing at the front and back of the machine, two persons should lift the machine using the inset grips on the sides.**



DUD470

**4. There are three upright pins on the optional paper feed unit. Align the holes of the machine with the pins, and then lower the machine slowly.**



ECC107

**5. Plug the machine's cord back into the wall outlet, and then turn on the power.**

**Note**

- After installing the optional paper feed unit, select Tray 2 in the printer driver. For details, see the printer driver Help.
- If the new device is listed in the column of configuration options, it has been properly installed.

- If the optional paper feed unit is not installed properly, try to install it again by repeating the procedure. If the problem persists, contact your sales or service representative.
- For details about printing the configuration page, see page 88 "Print List/Report".

# About Operation Tools

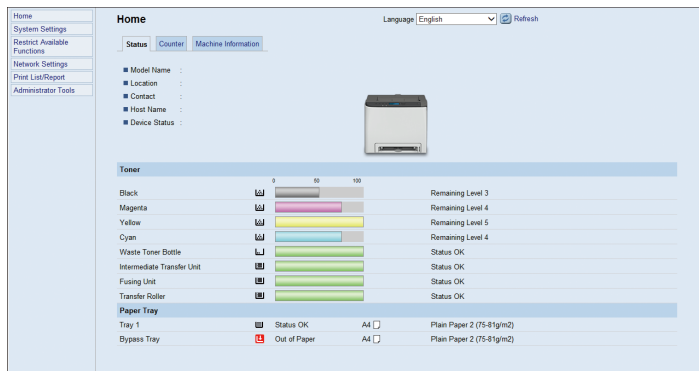
This section explains the operation tools of this machine.

## Control Panel

The control panel contains keys for controlling the machine.

For details about how to use the control panel, see page 69 "Configuring the Machine Using the Control Panel".

## Web Image Monitor



You can check the machine's status and configure its settings by accessing the machine directly using Web Image Monitor.

For details about how to use Web Image Monitor, see page 91 "Configuring the Machine Using Utilities".

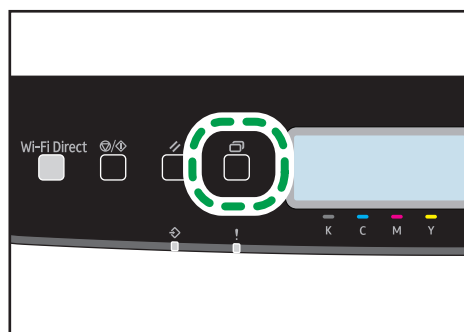


# Using RICOH Smart Device Connector

To use RICOH Smart Device Connector, access the App Store or Google Play with your smart device, search for and download the "RICOH Smart Device Connector" application from the site.

Check the App Store or Google Play to see the functions you can use on RICOH Smart Device Connector.

## 1. Press the [Menu] key.



2. Press the [▲] or [▼] key to select [Print List/Report], and then press the [OK] key.
3. Press the [▲] or [▼] key to select [Maintenance Page], and then press the [OK] key twice.  
The Maintenance page including the QR code is printed.
4. Start the application on the smart device, and then read the QR code.

Follow the instructions displayed on the application.

For details about how to connect a smart device to the machine using Near-field communication (NFC), see page 24 "Connecting a Smart Device to the Machine Using NFC".

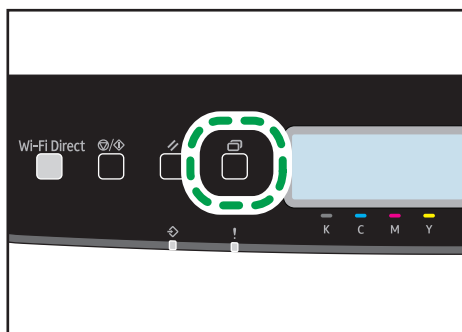
# Connecting a Smart Device to the Machine Using NFC

1

This section describes how to connect your smart device to the machine using NFC.

## Writing the Machine's Information to the NFC with a Smart Device

1. Configure the network connection of the machine.
2. Access the App Store or Google Play from your smart device, search for and download the application corresponding to the machine from the site.
3. Press the [Menu] key.



ECB202

4. Press the [▲] or [▼] key to select [Print List/Report], and then press the [OK] key.
5. Press the [▲] or [▼] key to select [Maintenance Page], and then press the [OK] key twice.  
The Maintenance page including the QR code is printed.
6. Start the application on the smart device, and then read the QR code.
7. Write the machine's network information to the NFC using the application, and then touch the NFC with the smart device.

## Using the Application on a Smart Device by Using NFC

1. Start the application on the smart device, and then touch the NFC with the smart device.
2. Print using application corresponding to the machine by touching the NFC or execute a scan using the application.

# 2. Paper Specifications and Adding Paper

This chapter describes how to load paper and originals and about their specifications.

## Workflow for Loading Paper and Configuring Paper Sizes and Types

This section explains how to load paper and operations required after paper is loaded. After following the procedures below, you can print on the paper that is loaded in the machine.

**1** ▶ **2** ▶ **3** Load paper into the paper tray.



**1** ▶ **2** ▶ **3** Specify the paper type and size.



**1** ▶ **2** ▶ **3** Specify the paper type and size on the printer driver.

For details about the procedures, refer to the next page.

Procedure	Reference
<b>1</b>	See page 26 "Loading Paper".
<b>2</b>	There are two ways to specify the paper type and size. <ul style="list-style-type: none"><li>• When using the control panel See page 34 "Specifying Paper Type and Paper Size Using the Control Panel".</li><li>• When using Web Image Monitor See page 37 "Specifying Paper Type and Paper Size Using Web Image Monitor".</li></ul>
<b>3</b>	See page 38 "Specifying Paper Type and Paper Size Using the Printer Driver".

For details about supported paper, see page 40 "Supported Paper".

# Loading Paper

This section explains how to load paper into the paper tray and the bypass tray.

## CAUTION

- When loading paper, take care not to trap or injure your fingers.

For information about supported paper, precautions for storing paper and print areas, see page 40 "Supported Paper".

---

## Loading Paper into Tray1 and 2

---

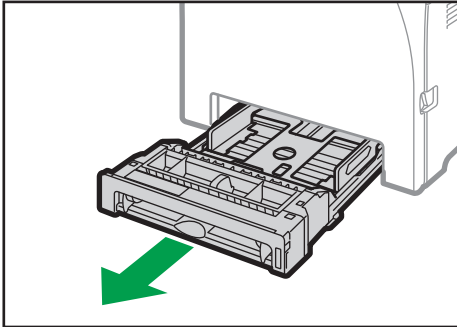
The following example explains the loading procedure for the standard paper tray (Tray 1).

The same procedure applies to loading paper in Tray 2.

### Important

- Curled paper may jam. Straighten curled paper before loading.
- After loading paper in the tray, specify the paper type and size using the control panel to avoid printing problems. This machine does not detect the paper size automatically.
- Be sure to select the correct paper size and feed direction using the paper size dial on the tray. Otherwise, the printer might be damaged, or printing problems might occur.
- Make sure the paper stack does not exceed the upper limit mark inside the paper tray. Excessive stacking can cause paper jams.
- If paper jams occur frequently, flip the paper stack in the tray.
- Do not mix different types of paper in the same paper tray.
- After loading paper, specify the paper size using the control panel and paper type using the control panel. When printing a document, specify the same paper size and type in the printer driver as specified on the printer.
- Do not move the side fences and end fence forcefully. Doing so may damage the tray.
- Do not slide the paper tray in forcefully when inserting the loaded tray into the printer. Otherwise, the side and end fences or the paper guide of the bypass tray might move.
- When loading label paper, load it one by one.

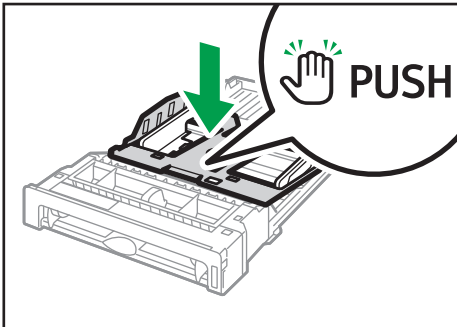
1. Pull out the paper tray carefully with both hands.



ECC076

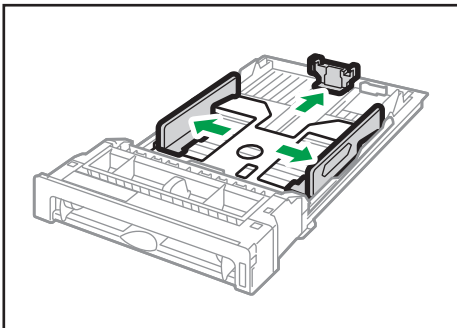
Place the tray on a flat surface.

2. Push the metal plate down until it clicks.



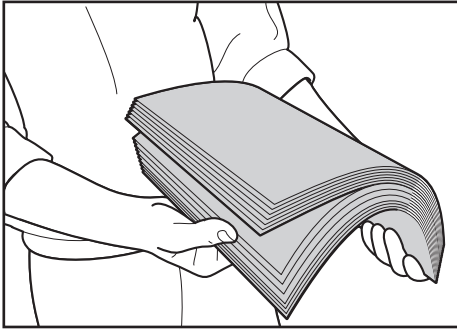
ECC077

3. Align the side fences and end fence with the paper size.



ECC078

**4. Fan the paper before loading it.**

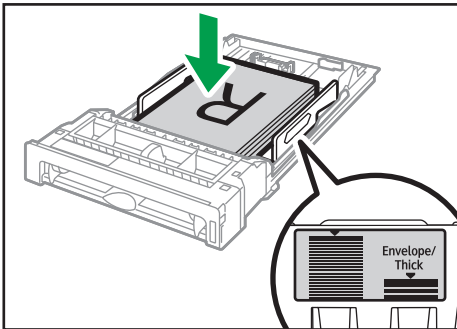


DAC344

**5. Load the paper in the tray with the print side faced up.**

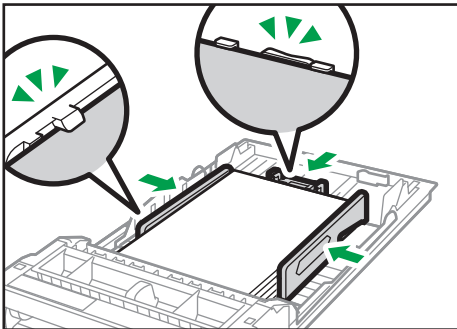
Make sure the paper is not stacked higher than the upper limit marked inside the tray.

Make sure the paper is not stacked higher than the projection on the side fences. (Tray 1 only)



ECC108

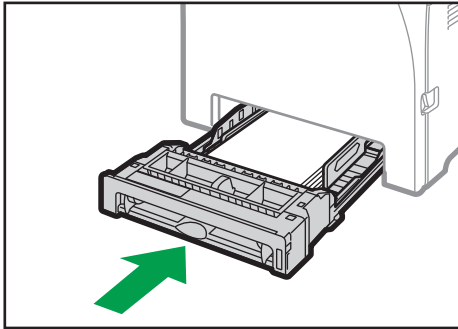
**6. Check there are no gaps between the paper and the fences; both side and end fences.**



ECC080

**7. Carefully push the paper tray straight into the machine.**

To avoid paper jams, make sure the tray is securely inserted.



ECC081

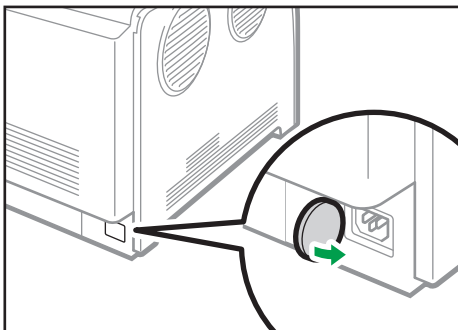
**Note**

- The upper limit differs depending on the paper type (thin or thick paper). See the label inside the tray to check the upper limit.
- The remaining paper indicator on the right front side of the paper tray shows approximately how much paper is remaining.

## Extending Tray 1 to load paper

This section explains how to load paper longer than A4 (297 mm) into the machine.

1. Remove the rear cover using a coin.

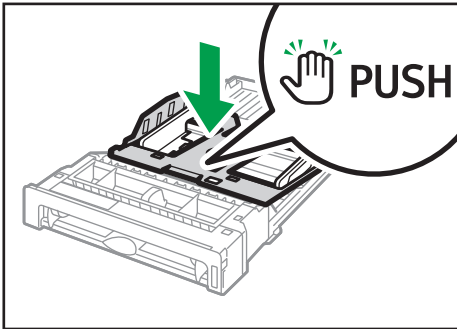


ECC109

2. Pull out tray 1 carefully with both hands.

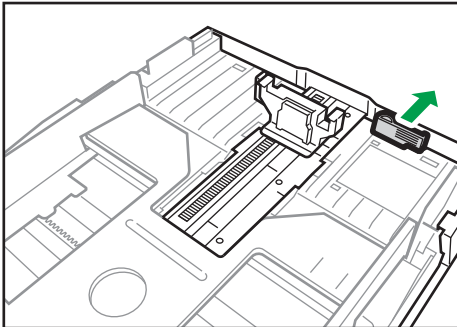
Place the tray on a flat surface.

3. Push the metal plate down until it clicks.



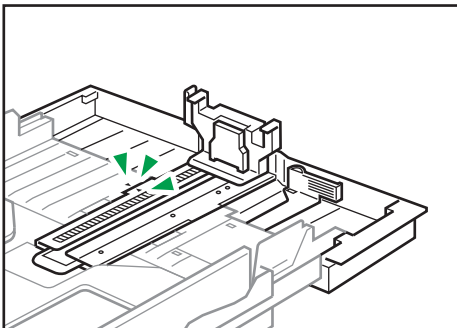
ECC077

4. Pinch the extender, and then pull out the extender until it clicks.



ECC110

After extension, check that the arrows on the extender and tray are aligned.



ECC111

5. Follow Steps 3 to 7 in "Loading Paper into Tray1 and 2".

**Note**

- To reinsert the extender, you might have to push it with moderate force.

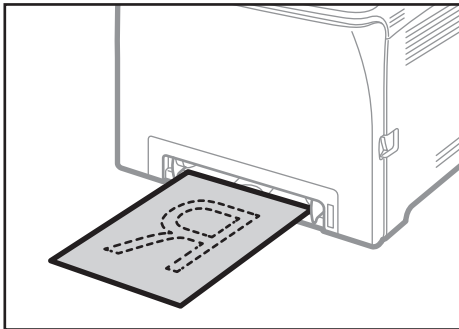


## Loading Paper into Bypass Tray

### ★ Important

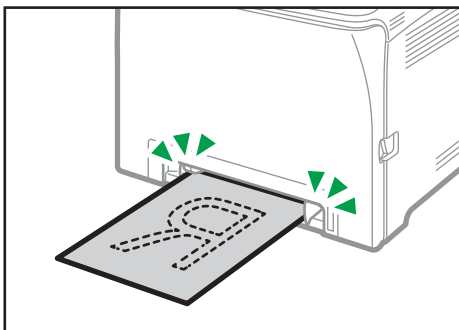
- Do not load paper while the machine is printing.
- Load paper with the print side down and in the short-edge feed direction.
- Curled paper may jam. Straighten curled paper before loading.
- Duplex printing is not possible.
- Tray 1 and 2 are unavailable if paper is loaded in the bypass tray.
- You cannot load paper into the bypass tray while the machine is in Energy Saver mode.

#### 1. Insert the top edge of the paper into the machine.



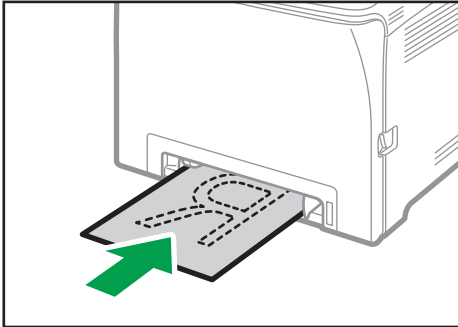
ECC112

#### 2. Adjust the paper guides to the paper size.



ECC113

3. Support the paper with both hands, and insert it carefully until it stops.



ECC114

## Loading Envelopes

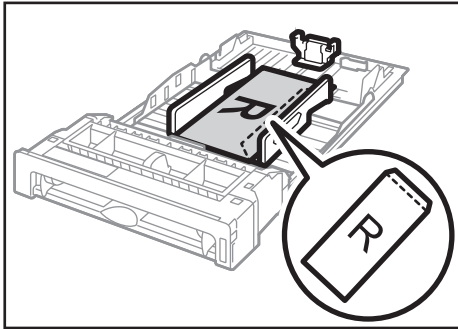
### ★ Important

- Avoid using self-adhesive envelopes. They may cause machine malfunctions.
- Check there is no air in the envelopes before loading.
- Load only one size and type of envelope at a time.
- Before loading envelopes, flatten their leading edges (the edge going into the machine) by running a pencil or ruler across them.
- Some kinds of envelope might cause misfeeds, wrinkles or print poorly.
- Print quality on envelopes may be uneven if parts of an envelope have different thicknesses. Print one or two envelopes to check print quality.
- In a hot and humid environment, the envelope might be output creased or improper printing quality.

For details about loading an envelope, see page 26 "Loading Paper into Tray 1 and 2", and page 31 "Loading Paper into Bypass Tray". Note that you cannot load an envelope in Tray 2.

### ↓ Note

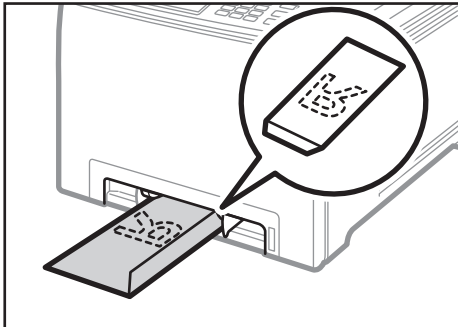
- If printed envelopes come out badly creased, load the envelopes in the opposite direction, and then rotate the print object by 180 degrees using the printer driver before printing. For details, see the printer driver Help.
- When Using Tray 1
  - If the envelope flap is on a short side, place the envelope with the flap side in the tray recess.
  - If the envelope flap is on a long side, place the envelope with the flap side on the right.



ECC118

- When Using the Bypass Tray

- If the envelope flap is on a short side, place the envelope with the flap side in the front part of the tray. If the envelope flap is on a long side, place the envelope with the flap side on the right.



ECC119

# Specifying Paper Type and Paper Size Using the Control Panel

This section explains how to specify the paper size and paper type using the control panel.

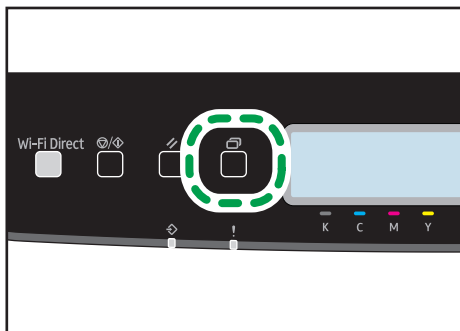
**Note**

- Paper type and size can also be specified using the printer driver. For details, see the printer driver Help.
- For prints from the bypass tray or Tray 1, you can select to print according to either the printer driver settings or the control panel settings with [Bypass Tray Priority] or [Tray1 Priority] under [Tray Paper Settings]. For details about [Bypass Tray Priority] and [Tray1 Priority], see page 81 "Tray Paper Settings".
- If [Auto Continue] under system settings is enabled, printing stops temporarily if a paper type/size error is detected. The printing restarts automatically with the settings made with the control panel after about ten seconds. However, if the size of paper specified on the control panel and that of the paper loaded in the paper tray or the paper size specified for the print job do not match when printing restarts, it may cause a paper jam. For details about [Auto Continue], see page 77 "System Settings".

## Specifying the Paper Type

This section explains how to specify the paper type.

1. Press the [Menu] key.



2. Press the [▲] or [▼] key to select [Tray Paper Settings], and then press the [OK] key.
3. Press the [▲] or [▼] key to select the paper type setting for the desired tray, and then press the [OK] key.
4. Press the [▲] or [▼] key to select the desired paper type, and then press the [OK] key.
5. Press the [Menu] key to return to the initial screen.

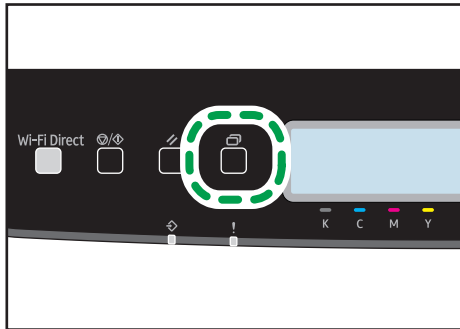
---

## Specifying the Standard Paper Size

---

This section explains how to specify the standard paper size.

1. Press the [Menu] key.



ECB202

2. Press the [▲] or [▼] key to select [Tray Paper Settings], and then press the [OK] key.
3. Press the [▲] or [▼] key to select the paper size setting for the desired tray, and then press the [OK] key.
4. Press the [▲] or [▼] key to select the desired paper size, and then press the [OK] key.
5. Press the [Menu] key to return to the initial screen.

---

## Specifying a Custom Paper Size

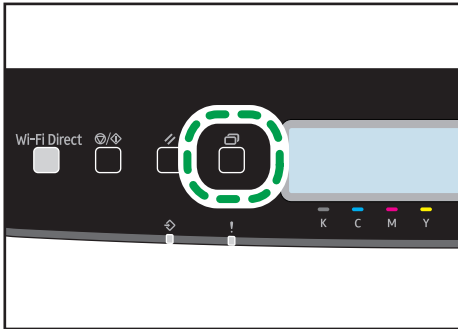
---

This section explains how to specify a custom paper size.

**★ Important**

- Custom size paper cannot be loaded in tray 2.
- When you perform printing, make sure that the paper size specified with the printer driver matches the paper size specified with the control panel. If a paper size mismatch occurs, a message appears on the display. To ignore the error and print using mismatched paper, see page 60 "If a Paper Mismatch Occurs".

**1. Press the [Menu] key.**



ECB202

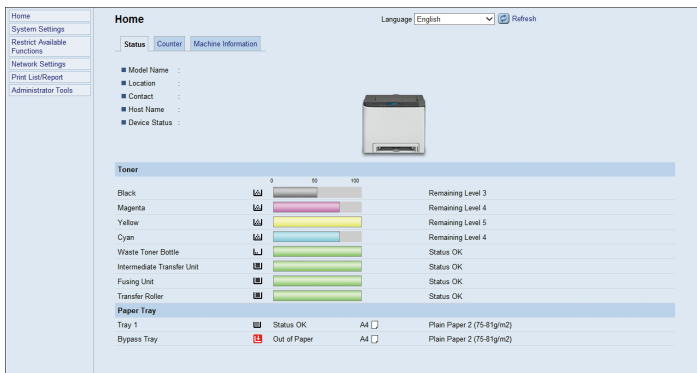
2. Press the [▲] or [▼] key to select [Tray Paper Settings], and then press the [OK] key.
3. Press the [▲] or [▼] key to select the paper size setting for the desired tray, and then press the [OK] key.
4. Press the [▲] or [▼] key to select [Custom Size], and then press the [OK] key.
5. Press the [▲] or [▼] key to select [mm] or [inch], and then press the [OK] key.
6. Enter the width using the [▲] or [▼] key, and then press the [OK] key.
7. Enter the length using the [▲] or [▼] key, and then press the [OK] key.
8. Press the [Menu] key to return to the initial screen.

# Specifying Paper Type and Paper Size Using Web Image Monitor

This section describes how to specify paper sizes and types using Web Image Monitor.

1. Start the web browser and access the machine by entering its IP address.

The top page of Web Image Monitor appears.



2. Click [System Settings].
3. Click [Tray Paper Settings] tab.
4. Select the paper type and paper size for the tray you want to use.
5. Enter the administrator password if required.
6. Click [OK].
7. Close the web browser.

## Specifying a Custom Paper Size

1. Start the web browser and access the machine by entering the IP address.
2. Click [System Settings].
3. Click [Tray Paper Settings] tab.
4. Select [Custom Size] in the [Paper Size] list.
5. Select [mm] or [inch] and specify the width and length.
6. Enter the administrator password if required.
7. Click [OK].
8. Close the web browser.

# Specifying Paper Type and Paper Size Using the Printer Driver

**★ Important**

- Make sure that the paper type and size specified with the printer driver matches the type and size of the paper loaded in the tray. Since this machine does not detect paper sizes automatically, the type or size of the paper may be mismatched and the print job may not print correctly.

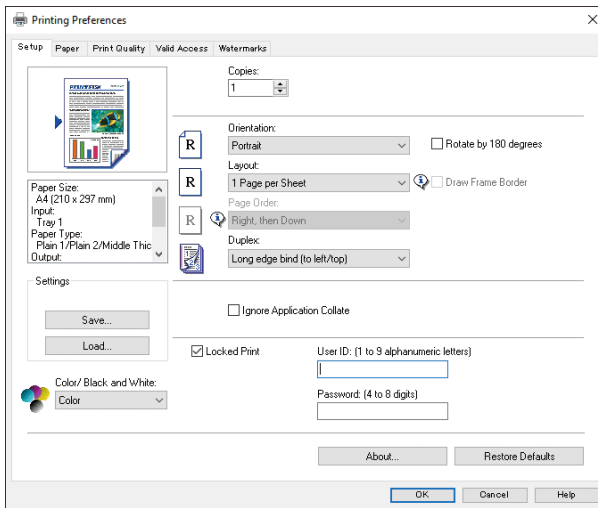
## When Using Windows

The procedure in this section is an example based on Windows 10. The actual procedure may vary depending on the operating system you are using.

**1. Open the [Printing preferences] dialog box from the printer driver.**

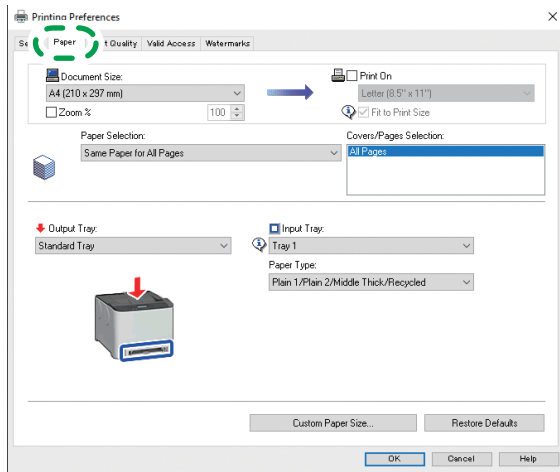
For information of how to open the printer driver properties from [Devices and Printers], see page 57 "Displaying the Printing Preferences Dialog Box".

The [Printing Preferences] dialog box appears.





## 2. Click the [Paper] tab.



ECB251

3. In the [Input Tray:] list, select the paper tray you want to use for printing.
4. In the [Paper Type:] list, select the type of paper that is loaded in the paper tray.
5. Select the [Print On] check box and select the size of the paper that is loaded in the paper tray.  
Clear the [Fit to Print Size] check box as necessary.
6. Click [OK].

## When Using OS X/macOS

The procedure in this section is an example based on macOS 10.13. The actual procedure may vary depending on the operating system you are using.

1. Open the document to print.
2. Select [Print...] on the [File] menu.
3. In the [Printer] list, select the printer you are using.
4. In the [Paper Size] list, select the size of the document to be printed.

## Supported Paper

### ★ Important

- After loading paper in the tray, specify the paper type and size using the control panel. This machine does not detect the paper size automatically.
- When loading custom size paper into Tray 1 or the bypass tray, specify the width and length using the control panel and the printer driver.
- When printing on custom size paper from the bypass tray, you can print without specifying the paper type or paper size from the control panel depending on the settings for [Bypass Tray Priority].

### Tray 1

Type	Size	Weight	Capacity* 1
Plain Paper 1	A4, B5 JIS, A5 LEF, A5 SEF, B6	60 to 163 g/m <sup>2</sup>	250
Plain Paper 2	JIS, A6, 8 <sup>1</sup> / <sub>2</sub> × 14, 8 <sup>1</sup> / <sub>2</sub> × 11,	(16 to 43 lb.)	(80 g/m <sup>2</sup> , 20 lb.)
Middle Thick Paper	5 <sup>1</sup> / <sub>2</sub> × 8 <sup>1</sup> / <sub>2</sub> , 7 <sup>1</sup> / <sub>4</sub> × 10 <sup>1</sup> / <sub>2</sub> , 8		
Recycled Paper	× 13, 8 <sup>1</sup> / <sub>2</sub> × 13, 8 <sup>1</sup> / <sub>4</sub> × 13,		
Thick Paper 1	16K, 4 <sup>1</sup> / <sub>8</sub> × 9 <sup>1</sup> / <sub>2</sub> , 3 <sup>7</sup> / <sub>8</sub> ×		
Thick Paper 2	7 <sup>1</sup> / <sub>2</sub> , C5 Env, C6 Env, DL Env,		
Thin Paper	8 <sup>1</sup> / <sub>2</sub> × 13 <sup>2</sup> / <sub>5</sub> , 8 <sup>1</sup> / <sub>2</sub> × 13 <sup>3</sup> / <sub>5</sub>		
Letterhead			
Preprinted Paper			
Label Paper			
Prepunched Paper			
Bond Paper			
Cardstock			
Color Paper			
Envelope			

Type	Size	Weight	Capacity* <sup>1</sup>
Plain Paper 1	Custom size:	60 to 163 g/m <sup>2</sup>	250
Plain Paper 2	90 to 216 mm in width,	(16 to 43 lb.)	(80 g/m <sup>2</sup> , 20 lb.)
Middle Thick Paper	148 to 356 mm in length		
Recycled Paper	(3.54 to 8.50 inches in width,		
Thick Paper 1	5.83 to 14.0 inches in length)		
Thick Paper 2			
Thin Paper			
Letterhead			
Preprinted Paper			
Label Paper			
Prepunched Paper			
Bond Paper			
Cardstock			
Color Paper			
Envelope			

\* 1 The number of envelopes that can be loaded is up to 10.

### Tray 2 (option)

Type	Size	Weight	Capacity
Thin Paper	A4	60 to 105 g/m <sup>2</sup>	500
Plain Paper 1	Letter (8 <sup>1</sup> / <sub>2</sub> × 11 inches)	(16 to 28 lb.)	(80 g/m <sup>2</sup> , 20 lb.)
Plain Paper 2			
Middle Thick Paper			
Thick Paper 1			
Recycled Paper			
Color Paper			
Preprinted Paper			
Prepunched Paper			
Letterhead			

**Bypass tray**

Type	Size	Weight	Capacity
Plain Paper 1 Plain Paper 2 Middle Thick Paper Recycled Paper Thick Paper 1 Thick Paper 2 Thin Paper Letterhead Envelope Label Paper Prepunched Paper Bond Paper Cardstock Color Paper	A4, B5 JIS, A5 LEF, A5 SEF, B6 JIS, A6, 8 <sup>1</sup> / <sub>2</sub> × 14, 8 <sup>1</sup> / <sub>2</sub> × 11, 5 <sup>1</sup> / <sub>2</sub> × 8 <sup>1</sup> / <sub>2</sub> , 7 <sup>1</sup> / <sub>4</sub> × 10 <sup>1</sup> / <sub>2</sub> , 8 × 13, 8 <sup>1</sup> / <sub>2</sub> × 13, 8 <sup>1</sup> / <sub>4</sub> × 13, 16K, 4 <sup>1</sup> / <sub>8</sub> × 9 <sup>1</sup> / <sub>2</sub> , 3 <sup>7</sup> / <sub>8</sub> × 7 <sup>1</sup> / <sub>2</sub> , C5 Env, C6 Env, DL Env, 8 <sup>1</sup> / <sub>2</sub> × 13 <sup>2</sup> / <sub>5</sub> , 8 <sup>1</sup> / <sub>2</sub> × 13 <sup>3</sup> / <sub>5</sub>	60 to 163 g/m <sup>2</sup> (16 to 43 lb.)	1
Plain Paper 1 Plain Paper 2 Middle Thick Paper Recycled Paper Thick Paper 1 Thick Paper 2 Thin Paper Letterhead Envelope Label Paper Prepunched Paper Bond Paper Cardstock Color Paper	Custom size: 90 to 216 mm in width, 148 to 356 mm in length (3.54 to 8.50 inches in width, 5.83 to 14.0 inches in length)	60 to 163 g/m <sup>2</sup> (16 to 43 lb.)	1

**Note**

- You cannot print on Legal size paper in the following cases:

- PCL printer driver  
When [Gradation:] in [Print Quality] is set to [Fine]
- PostScript 3 printer driver  
When [Print Quality] in [Printer Features] is set to [Best Quality]

## Specifications of Paper Types

2

The following tables describe the types of paper that can be used with this machine.

### ★ Important

- Depending on the paper type, the toner may take a while to dry. Before handling printed sheets, make sure that they have fully dried. Otherwise, the toner may smudge.
- Print quality can be guaranteed only if recommended paper is used. For more information about the recommended paper, contact your sales or service representative.

### Plain Paper 1

Item	Description
Paper thickness	66 to 74 g/m <sup>2</sup> (18 to 20 lb.)
Supported paper tray	Can be used with any of the paper trays.
Duplex supported size	A4, B5 JIS, 8 <sup>1</sup> / <sub>2</sub> × 14, 8 <sup>1</sup> / <sub>2</sub> × 11, 7 <sup>1</sup> / <sub>4</sub> × 10 <sup>1</sup> / <sub>2</sub> , 8 × 13, 8 <sup>1</sup> / <sub>2</sub> × 13, 8 <sup>1</sup> / <sub>4</sub> × 13, 16K, 8 <sup>1</sup> / <sub>2</sub> × 13 <sup>2</sup> / <sub>5</sub> , 8 <sup>1</sup> / <sub>2</sub> × 13 <sup>3</sup> / <sub>5</sub>

### Plain Paper 2

Item	Description
Paper thickness	75 to 81 g/m <sup>2</sup> (20 to 22 lb.)
Supported paper tray	Can be used with any of the paper trays.
Duplex supported size	A4, B5 JIS, 8 <sup>1</sup> / <sub>2</sub> × 14, 8 <sup>1</sup> / <sub>2</sub> × 11, 7 <sup>1</sup> / <sub>4</sub> × 10 <sup>1</sup> / <sub>2</sub> , 8 × 13, 8 <sup>1</sup> / <sub>2</sub> × 13, 8 <sup>1</sup> / <sub>4</sub> × 13, 16K, 8 <sup>1</sup> / <sub>2</sub> × 13 <sup>2</sup> / <sub>5</sub> , 8 <sup>1</sup> / <sub>2</sub> × 13 <sup>3</sup> / <sub>5</sub>

## Middle Thick Paper

Item	Description
Paper thickness	82 to 90 g/m <sup>2</sup> (22 to 24 lb.)
Supported paper tray	Can be used with any of the paper trays.
Duplex supported size	A4, B5 JIS, 8 <sup>1</sup> / <sub>2</sub> × 14, 8 <sup>1</sup> / <sub>2</sub> × 11, 7 <sup>1</sup> / <sub>4</sub> × 10 <sup>1</sup> / <sub>2</sub> , 8 × 13, 8 <sup>1</sup> / <sub>2</sub> × 13, 8 <sup>1</sup> / <sub>4</sub> × 13, 16K, 8 <sup>1</sup> / <sub>2</sub> × 13 <sup>2</sup> / <sub>5</sub> , 8 <sup>1</sup> / <sub>2</sub> × 13 <sup>3</sup> / <sub>5</sub>

## Thick Paper 1

Item	Description
Paper thickness	91 to 105 g/m <sup>2</sup> (24 to 28 lb.)
Supported paper tray	Can be used with any of the paper trays.
Duplex supported size	None
Notes	The number of sheets that can be printed per minute is approximately half that of middle thick paper.

## Thick Paper 2

Item	Description
Paper thickness	106 to 163 g/m <sup>2</sup> (28 to 43 lb.)
Supported paper tray	Tray 1 and bypass tray
Duplex supported size	None
Notes	The number of sheets that can be printed per minute is approximately half that of middle thick paper.

## Thin Paper

Item	Description
Paper thickness	60 to 65 g/m <sup>2</sup> (16 to 17 lb.)

Item	Description
Supported paper tray	Can be used with any of the paper trays.
Duplex supported size	A4, B5 JIS, $8\frac{1}{2} \times 14$ , $8\frac{1}{2} \times 11$ , $7\frac{1}{4} \times 10\frac{1}{2}$ , $8 \times 13$ , $8\frac{1}{2} \times 13$ , $8\frac{1}{4} \times 13$ , 16K, $8\frac{1}{2} \times 13\frac{2}{5}$ , $8\frac{1}{2} \times 13\frac{3}{5}$

## Recycled Paper

Item	Description
Paper thickness	75 to 90 g/m <sup>2</sup> (20 to 24 lb.)
Supported paper tray	Can be used with any of the paper trays.
Duplex supported size	A4, B5 JIS, $8\frac{1}{2} \times 14$ , $8\frac{1}{2} \times 11$ , $7\frac{1}{4} \times 10\frac{1}{2}$ , $8 \times 13$ , $8\frac{1}{2} \times 13$ , $8\frac{1}{4} \times 13$ , 16K, $8\frac{1}{2} \times 13\frac{2}{5}$ , $8\frac{1}{2} \times 13\frac{3}{5}$
Notes	If the paper thickness is outside the specified range, select [Thin Paper], [Plain Paper], [Thick Paper 1], or [Thick Paper 2].

## Color Paper

Item	Description
Paper thickness	75 to 90 g/m <sup>2</sup> (20 to 24 lb.)
Supported paper tray	Can be used with any of the paper trays.
Duplex supported size	A4, B5 JIS, $8\frac{1}{2} \times 14$ , $8\frac{1}{2} \times 11$ , $7\frac{1}{4} \times 10\frac{1}{2}$ , $8 \times 13$ , $8\frac{1}{2} \times 13$ , $8\frac{1}{4} \times 13$ , 16K, $8\frac{1}{2} \times 13\frac{2}{5}$ , $8\frac{1}{2} \times 13\frac{3}{5}$
Notes	If the paper thickness is outside the specified range, select [Thin Paper], [Plain Paper], [Thick Paper 1], or [Thick Paper 2].

## Preprinted Paper

Item	Description
Paper thickness	75 to 90 g/m <sup>2</sup> (20 to 24 lb.)
Supported paper tray	Tray 1 and Tray 2

Item	Description
Duplex supported size	A4, B5 JIS, $8\frac{1}{2} \times 14$ , $8\frac{1}{2} \times 11$ , $7\frac{1}{4} \times 10\frac{1}{2}$ , $8 \times 13$ , $8\frac{1}{2} \times 13$ , $8\frac{1}{4} \times 13$ , 16K, $8\frac{1}{2} \times 13^2/5$ , $8\frac{1}{2} \times 13^3/5$
Notes	If the paper thickness is outside the specified range, select [Thin Paper], [Plain Paper], [Thick Paper 1], or [Thick Paper 2].

### Prepunched Paper

Item	Description
Paper thickness	75 to 90 g/m <sup>2</sup> (20 to 24 lb.)
Supported paper tray	Can be used with any of the paper trays.
Duplex supported size	A4, B5 JIS, $8\frac{1}{2} \times 14$ , $8\frac{1}{2} \times 11$ , $7\frac{1}{4} \times 10\frac{1}{2}$ , $8 \times 13$ , $8\frac{1}{2} \times 13$ , $8\frac{1}{4} \times 13$ , 16K, $8\frac{1}{2} \times 13^2/5$ , $8\frac{1}{2} \times 13^3/5$
Notes	If the paper thickness is outside the specified range, select [Thin Paper], [Plain Paper], [Thick Paper 1], or [Thick Paper 2].

### Letterhead

Item	Description
Paper thickness	75 to 90 g/m <sup>2</sup> (20 to 24 lb.)
Supported paper tray	Can be used with any of the paper trays.
Duplex supported size	A4, B5 JIS, $8\frac{1}{2} \times 14$ , $8\frac{1}{2} \times 11$ , $7\frac{1}{4} \times 10\frac{1}{2}$ , $8 \times 13$ , $8\frac{1}{2} \times 13$ , $8\frac{1}{4} \times 13$ , 16K, $8\frac{1}{2} \times 13^2/5$ , $8\frac{1}{2} \times 13^3/5$
Notes	Paper that has a thickness outside the specified range cannot be printed onto.

### Bond Paper

Item	Description
Paper thickness	106 to 163 g/m <sup>2</sup> (28 to 43 lb.)
Supported paper tray	Tray 1 and bypass tray



Item	Description
Duplex supported size	None
Notes	<ul style="list-style-type: none"> <li>The number of sheets that can be printed in one minute is approximately half that of middle thick paper.</li> <li>If the paper thickness is outside the specified range, select [Thick Paper 1].</li> </ul>

## Cardstock

Item	Description
Paper thickness	106 to 163 g/m <sup>2</sup> (28 to 43 lb.)
Supported paper tray	Tray 1 and bypass tray
Duplex supported size	None
Notes	<ul style="list-style-type: none"> <li>The number of sheets that can be printed in one minute is approximately half that of middle thick paper.</li> <li>If the paper thickness is outside the specified range, select [Thick Paper 1].</li> </ul>

## Label Paper

Item	Description
Supported paper tray	Tray 1 and bypass tray
Duplex supported size	None
Notes	<ul style="list-style-type: none"> <li>The number of sheets that can be printed per minute is approximately half that of middle thick paper.</li> <li>Avoid using adhesive label paper on which glue is exposed. Glue may stick to the inner parts of the machine, which can cause paper feed problems, deterioration in print quality, or premature wear of the print cartridge's photo conductor unit.</li> </ul>

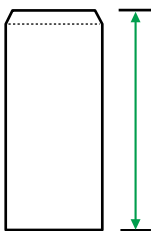
## Envelope

Item	Description
Supported paper tray	Tray 1 and bypass tray
Duplex supported size	None

2

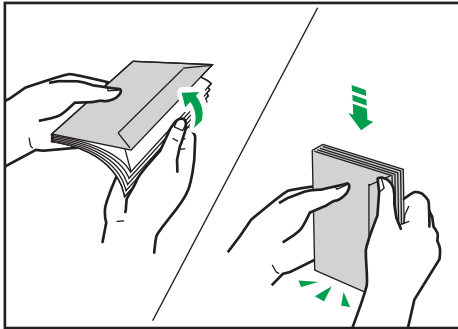
### Notes

- Avoid using self-adhesive envelopes. They may cause machine malfunctions.
- The number of envelopes that can be printed per minute is approximately half that of middle thick paper.
- Paper can be loaded only up to the lower of the two paper limit marks of the tray.
- If printed envelopes come out badly creased, load the envelopes in the opposite direction. Also, configure the printer driver to rotate the print object 180 degrees. For details about changing the orientation see the printer driver Help.
- Environmental factors can degrade the print quality on both recommended and non-recommended envelopes.
- If envelopes are severely curled after printing, flatten them by bending them back against the curl.
- After printing, envelopes sometimes have creases along their long edges and toner smear on their unprinted sides. Print images might also be blurred. When printing large, black-solid areas, striping can occur as a result of the envelopes overlapping.
- To correctly specify the length of an envelope whose flap opens along its short edge, be sure to include the open flap when measuring.



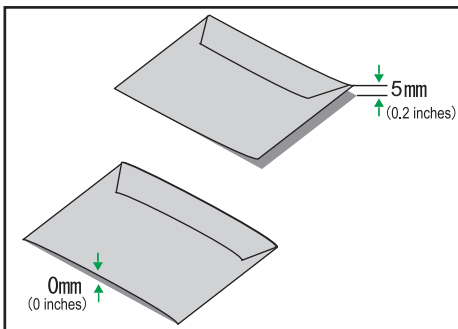
CER112

- Fan envelopes, and then align their edges before loading.



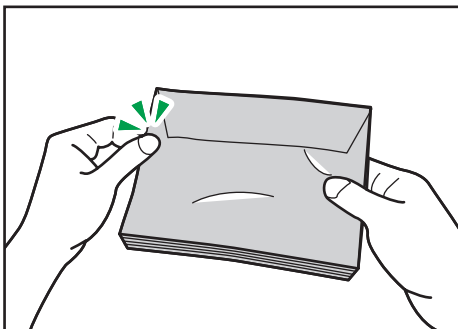
DAC573

- When fanning envelopes, make sure they are not stuck together. If they are stuck together, separate them.
- When fanning envelopes, make sure the envelope flaps are not stuck. If they are stuck, separate them.
- Before loading envelopes, flatten them out so that their curl does not exceed that shown as shown below.



DAC574

- If the curl is severe, flatten out the envelopes using your fingers, as shown below.



DAC575

#### ↓ Note

- You may not be able to perform duplex printing on 8 × 13, 8<sup>1</sup>/<sub>2</sub> × 13, Folio (8<sup>1</sup>/<sub>4</sub> × 13 inches), or 16K (195 mm × 267 mm) size paper in the following cases:

- PCL printer driver  
When [Gradation:] in [Print Quality] is set to Fine
- PostScript 3 printer driver  
When [Print Quality] in [Printer Features] is set to [Best Quality]

---

## Non-Recommended Paper Types

---

Do not use the following types of paper:

- Ink-jet printer paper
- Bent, folded, or creased paper
- Curled or twisted paper
- Torn paper
- Wrinkled paper
- Damp paper
- Dirty or damaged paper
- Paper that is dry enough to emit static electricity
- Paper that has already been printed onto, except a preprinted letterhead paper.

Malfunctions are especially likely when using paper printed on by other than a laser printer (e.g.monochrome and color copiers, ink-jet printers, etc.)

- Special paper, such as thermal paper and carbon paper
- Paper weighing heavier or lighter than the limit
- Paper with windows, holes, perforations, cutouts, or embossing
- Adhesive label paper on which glue or base paper is exposed
- Paper with clips or staples

### ↓ Note

- When loading paper, take care not to touch the surface of the paper.
- Even if paper is adequate for the machine, poorly stored paper can cause paper misfeeds, print quality degradation, or malfunctions.

---

## Paper Storage

---

### ★ Important

- **Store paper appropriately. If the paper is stored incorrectly, misfeeds, lower printing quality, or malfunctions may result.**

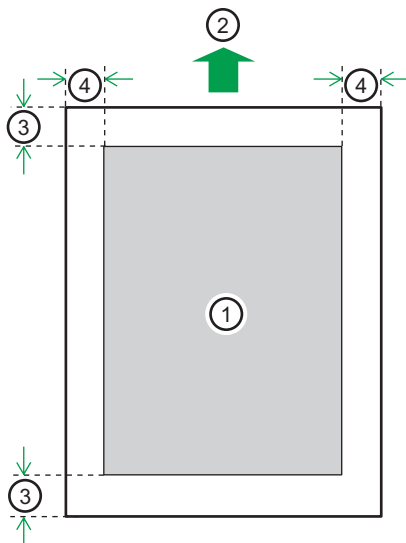
When storing paper:

- Do not store paper in a humid place.
- Do not store paper in direct sunlight.
- Do not stand paper on its edge.
- Store any leftover paper in a wrapping or box supplied with the paper.

## Print Area

The diagram below shows the area of the paper that the machine can print on.

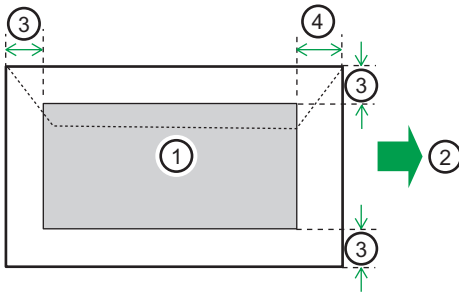
From the printer driver



DACS71

1. Print area
2. Feed direction
3. Approx. 4.2 mm (0.2 inches)
4. Approx. 4.2 mm (0.2 inches)

## Envelope



1. Print area
2. Feed direction
3. Approximately 10 mm (0.4 inches)
4. Approximately 15 mm (0.6 inches)

### ↓ Note

- Borderless printing is not supported.
- The print area may vary depending on the paper size, printer language and printer driver settings.
- For better envelope printing, we recommend you set the right, left, top, and bottom print margins to at least 15 mm (0.6 inches) each.

# 3. Printing Documents

This chapter describes how to configure settings on the printer driver and print documents.

## What You Can Do with the Printer Function

### Duplex printing

You can print on both sides of a sheet of paper. For details, see the printer driver Help.



### Combined printing

You can combine multiple pages and print them on a single sheet of paper. For details, see the printer driver Help.



# Configuring Option Settings for the Printer

When bidirectional communication works correctly, your computer obtains information about option, paper size and paper feed direction settings from the machine automatically. Bidirectional communication also allows you to monitor machine status.

---

## Conditions for Bidirectional Communication

---

3

To support bidirectional communication, the following conditions must be met:

### When connected with the network

- The Standard TCP/IP port must be used.
- In addition to the above, one of the following conditions must also be met:
  - The TCP/IP protocol or the IPP protocol is used. (When using the IPP protocol, the IPP port name must include the IP address.)

### When connected with USB

- The machine must be connected to the computer's USB port using the USB interface cable.
- The computer must support bidirectional communication.
- [Enable bidirectional support] must be selected, and [Enable printer pooling] must not be selected on the [Ports] tab with the printer driver.

---

## If Bidirectional Communication is Disabled

---

This section describes how to set up option and setting of paper size for each tray on your computer manually.

### ★ Important

- **Manage Printers permission is required to change the printer properties. Log on as an Administrators group member.**

### When Using Windows

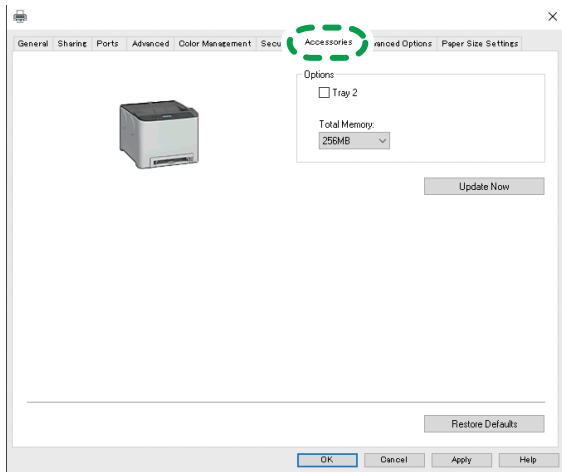
---

The procedure in this section is an example based on Windows 10.

1. On the [Start] menu, select [Control Panel] under [Windows System].
2. Click [View devices and printers].
3. Right-click the machine's icon, and then click [Printer properties].



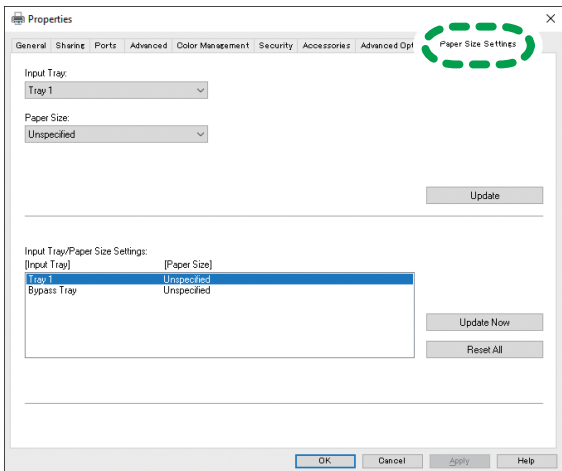
#### 4. Click the [Accessories] tab.



ECB252

#### 5. Select options installed from the [Options] area, and then make the necessary settings.

#### 6. Click [Paper Size Settings] tab.



ECC253

#### 7. In [Input Tray:] select which trays to use, and then, in [Paper Size:] select the size of the paper that you want to load in each tray.

Click [Update] to apply the setting for each tray.

#### 8. Click [Apply].

#### 9. Click [OK] to close the printer properties window.

## When Using OS X/macOS

The following procedure is explained using macOS 10.13 as an example.

1. Start System Preferences.
2. Click [Printers & Scanners].
3. Select the printer you are using, and then click [Options & Supplies...].
4. Click [Options], and then configure settings as needed.
5. Click [OK].
6. Quit System Preferences.

# Displaying the Printing Preferences Dialog Box

To change the default settings of the printer driver, configure settings in the [Printing Preferences] dialog box.

To change the default settings of all applications, open the [Printing Preferences] dialog box from the OS. For details, see page 57 "Displaying the Printing Preferences Dialog Box from the [Start] Menu".

To change the default settings of a specific application, open the [Printing Preferences] dialog box from that application. For details, see page 57 "Displaying the Printing Preferences Dialog Box in an Application".

## Displaying the Printing Preferences Dialog Box from the [Start] Menu

This section explains how to open the [Printing Preferences] dialog box from [Devices and Printers].

### ★ Important

- When the printer driver is distributed from the print server, the setting values specified by the server are displayed as the default for [Printing Defaults...].
- You cannot configure different print settings for each user. The settings configured in this dialog box are used as the default.

1. On the [Start] menu, click [Control Panel] under [Windows System].
2. Click [View devices and printers].
3. Right-click the icon of the printer you want to use.
4. Click [Printing preferences].

## Displaying the Printing Preferences Dialog Box in an Application

You can make printer settings for a specific application. To make printer settings for a specific application, open the [Printing Preferences] dialog box from that application.

The settings displayed in the [Printing Preferences] dialog box opened from the [Devices and Printers] window are applied as the default in the [Printing Preferences] dialog box opened in an application. When printing from an application, modify the settings as required.

The screens displayed may differ depending on the application. The following procedure explains how to print documents from an application using WordPad in Windows 10 as an example.

### Displaying the Printing Preferences Dialog Box in an Application When Using Windows

1. Click [File] in the upper left corner of the window, and then click [Print].

2. In the [Select Printer] list, select the printer you want to use.
3. Click [Preferences].

**Note**

- Procedures for opening the [Printing Preferences] dialog box vary depending on the application. For details, see the printer driver Help or the manuals provided with the application.

### Displaying the Printing Preferences Dialog Box in an Application When Using OS X/ macOS

---

3

The following procedure is explained using macOS 10.13 as an example.

1. Open the document to print.
2. Select [Print...] on the [File] menu.
3. Check that the machine name or IP address you are using is selected in the [Printer:] popup menu.

If the machine name or IP address you are using is not selected in the [Printer:] list, click the list, and then select the machine.

# Basic Operation of Printing

The following procedure explains how to perform basic printing.

## ★ Important

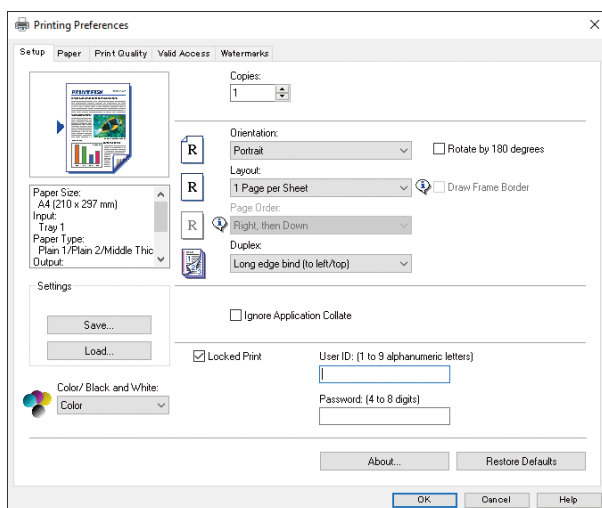
- Duplex printing is selected as the default setting.

## When Using Windows

The procedure in this section is an example based on Windows 10. The actual procedure may vary depending on the operating system you are using.

For details of printing options, see the printer driver Help.

1. Open the printer properties dialog box in your document's application.



For details about each setting, click [Help]. You can also click the information icons to show configuration information.

2. Set printing options as necessary, and then click [OK].

The printer properties dialog box closes.

3. Click [Print].

## When Using macOS/OS X

The procedure in this section is an example based on macOS 10.13. The actual procedure may vary depending on the operating system you are using.

**1. Open the printer properties dialog box in your document's application.**

For details, see page 58 "Displaying the Printing Preferences Dialog Box in an Application When Using OS X/macOS".

**2. Set printing options as necessary, and then click [OK].**

The printer properties dialog box closes.

**3. Click [Print].**

**Note**

- When printing a job (Color/B&W or B&W only) is restricted, specify the user code in the printer properties of the printer driver before printing. For details about user code, see page 103 "Restricting Machine Functions According to User".
- You can specify which paper tray is selected first in [Paper Tray Priority] under [Tray Paper Settings] Menu when the trays are automatically selected while you are printing. For details about [Paper Tray Priority], see page 81 "Tray Paper Settings".
- If a paper jam occurs, printing stops after the current page has been printed out. After the jammed paper is removed, printing restarts from the jammed page automatically. For details about how to remove the jammed paper, see page 154 "Removing Paper Jams".

---

## If a Paper Mismatch Occurs

---

The machine reports an error if:

- The paper type does not match the print job's settings when [Input Tray:] is set to [Auto Tray Select].

There are two ways to resolve these errors:

**Continue printing using mismatched paper**

Ignore the error and print using mismatched paper.

**Cancel the print job**

Cancel printing.

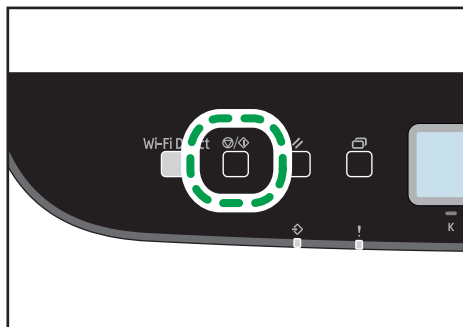
---

## Continuing printing using mismatched paper

---

If the paper is too small for the print job, the printed image will be cropped.

1. While an error message is displayed on the control panel, press the [Stop/Start] key.



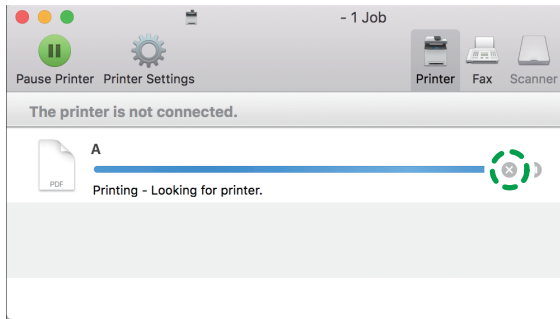
## Canceling a Print Job

You can cancel print jobs using either the machine's control panel or your computer, depending on the status of the job.

### Canceling a print job before printing has started

- Windows
  1. Double-click the printer icon on the task tray of your computer.
  2. Select the print job you want to cancel, click the [Document] menu, and then click [Cancel].
  3. Click [Yes].
- OS X and macOS
  1. Start System Preferences.
  2. Click [Printers & Scanners].
  3. Select the printer you are using, and then click [Open Print Queue...].
  4. Select the queue you want to delete.

5. Click [×].



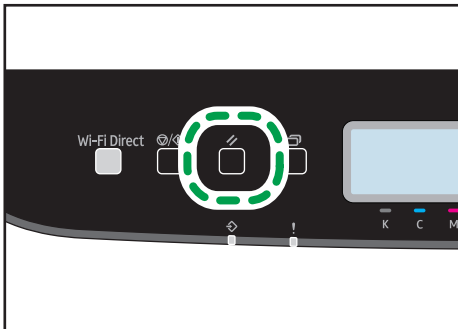
ECC272

**Note**

- If you cancel a print job that has already been processed, printing may continue for a few pages before being canceled.
- It may take a while to cancel a large print job.

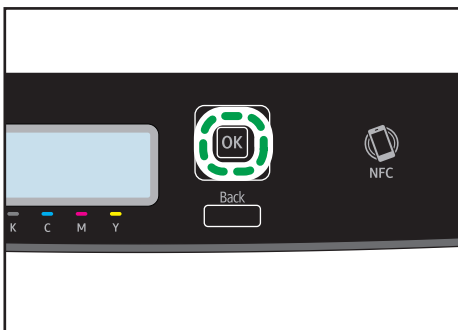
### Canceling a print job while printing

1. While an error message is displayed on the control panel, press the [Job Reset] key.



ECB204

2. Press the [OK] key.



ECB205



# Printing Confidential Documents

By the Locked Print function, you can password-protect print jobs.

This means that your job is printed only after you enter the password using the machine's control panel.

This function prevents unauthorized users from seeing sensitive documents at the machine.

## ★ Important

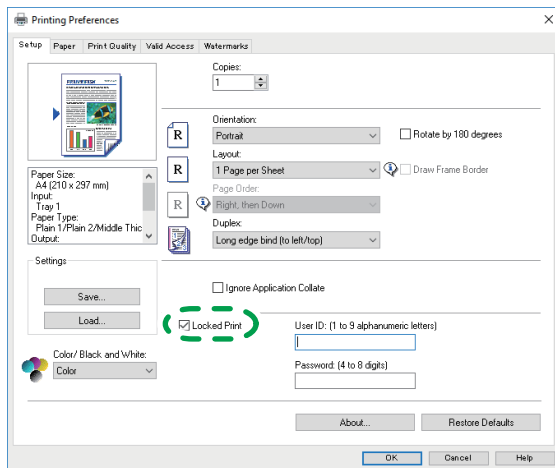
- This function is available for P C301W only.
- This function is only available when using the PCL printer driver, and printing from a computer running a Windows operating system.
- The procedure in this section is an example based on Windows 10.

3

## Storing a Locked Print file

This section explains how to store a Locked Print file in the machine using the printer driver.

1. Open the file you want to print on your computer.
2. On the [File] menu, click [Print...].
3. In the [Select Printer] area, select the name of this machine, and then click [Preferences].
4. Click the [Setup] tab, and then select the [Locked Print] check box.



ECC254

The [Password:] and [User ID:] text boxes become available.

The [User ID:] text box contains the login user name of your computer account or the user code used for the previous Locked Print job.

5. Type the password (containing 4 to 8 digits) and user ID (containing 1 to 9 alphanumeric characters), and then click [OK].

The user code will be used to identify your Locked Print file on the machine's control panel.

6. Execute a print command.

The print job is stored in the machine as a Locked Print file. You can print the file by entering the password using the control panel.

#### ↓ Note

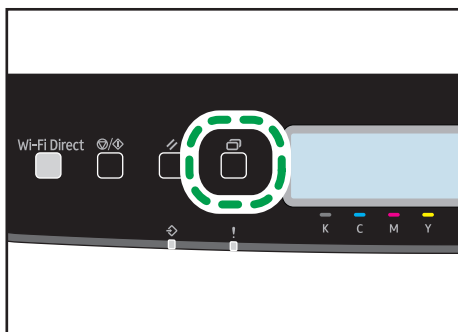
- The Locked Print file is automatically erased from the machine's memory when it is printed out, or when the machine's power is turned off.
- The machine can store up to 5 jobs or 5 MB of Locked Print data at a time.
- Even if the printer cannot store any more Locked Print files, the printer holds a new Locked Print file for the period of time specified in [Locked Print] in [I/O Timeout] under [System Settings] before canceling the job. Within this time, you can print or delete the new Locked Print file. You can also print or delete an existing Locked Print file so that the new Locked Print file can be stored in the machine.

## Printing a Locked Print File

When there is a Locked Print file stored in the printer, "Locked Print Job" and "Press the Menu key." appears on the printer's control panel display.

Use the following procedure to unlock and print the Locked Print file.

1. Press the [Menu] key.



2. Press the [▲] or [▼] key to select the file you want to print, and then press the [OK] key.  
Identify the Locked Print file by checking its time stamp and user ID.
3. Press the [↵] key.

4. Press the [▲], [▼], [◀], or [▶] key to select the number you want to enter, and then press the [OK] key.

To use the application to start printing a locked print file, hold a smart device on which the application corresponding to the machine is running.

5. Repeat Steps 4 to enter all the numbers you want to enter.
6. After entering all the numbers, press the [OK] key.

The Locked Print file is printed.

#### ↓ Note

- You cannot print a Locked Print file while the machine is currently printing. The machine beeps if you try to do so.
- While entering a password using the control panel, the machine cannot process other print jobs.
- The Locked Print file is automatically erased from the machine's memory when it is printed out, or when the machine's power is turned off.

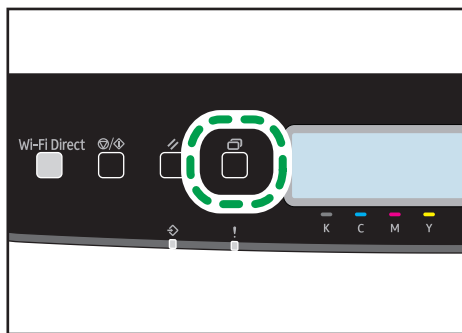
3

## Deleting a Locked Print File

When there is a Locked Print file stored in the printer, "Locked Print Job" and "Press the Menu key." appears on the printer's control panel display.

Use the following procedure to delete a Locked Print file. You do not need to enter a password to delete a Locked Print file.

1. Press the [Menu] key.



ECB202

2. Press the [▲] or [▼] key to select the file you want to delete, and then press the [OK] key.  
Identify the Locked Print file by checking its time stamp and user ID.
3. Press the [▶] key to select [Delete].

The Locked Print file is deleted.

If there are Locked Print files/logs remaining in the printer, the display returns to the list of Locked Print files/logs. If there are none remaining, the display returns to the initial screen.

## Using Various Print Functions

This section briefly describes various print functions that you can configure with the printer driver to make printouts appropriate for your purposes.

---

### Print Quality Functions

---

3

Print quality and color tone can be adjusted to suit the print data. Some of the print quality settings you can configure are described below.

#### Printing color documents in black and white

The black produced in black and white printing is a more distinct black than that produced in color printing.

#### Separating the print data into CMYK and printing in designated color only

Normally, all four colors (CMYK) are used for color printing. If you do not want to use certain colors, you can disable the use of those colors and print using other colors only.

#### Saving toner when printing (Economy Color printing)

You can save toner by printing with lower toner consumption.

#### Changing the image printing method

You can select to print with priority on print quality or print speed. When printing images, the higher the resolution of images is, the longer the time is required for printing.

#### Changing the dither pattern

A dither pattern is a pattern of dots used to simulate a color or shade of an image. If the pattern is changed, the characteristics of the image will also change. You can select a pattern suitable for the image to be printed.

#### Changing the color profiling pattern

You can select a color profiling pattern to adjust the tone of colors according to the colors displayed on the computer screen.

Because colors on the computer screen are created using the three RGB colors while colors for printing are composed of the four CMYK colors, colors need to be converted during the printing process. Therefore, images on the printed paper may look different from those on the computer screen if adjustment is not performed.

#### Printing grayscale images using black or CMYK

You can print black or gray sections of an image using black toner only, instead of using all CMYK toners. Compared to the black printed with CMYK toner, this results in a black that is flatter and purer.

## Using ICM (Image Color Matching)

You can use Windows ICM function to reproduce colors that appear on the computer screen as close as they are on printed paper.

To use this function, the color profile must be added to the computer. You can find the color profile in the ICM folder stored on the provided printer driver CD-ROM. For information about adding a color profile, search Windows Help for "color profile", and then see the appropriate topic.

### ↓ Note

- Some of the functions described above might not be available depending on the printer driver or operating system. For details, see the printer driver Help.

---

## Print Output Functions

---

You can specify the form of print outputs according to your purposes. This section briefly describes some of the settings that you can specify.

### Printing multiple sets of a document

You can print multiple sets of the same document.

### Collating the output in document batches

You can print complete sets of a multiple-page document one set at a time (P1, P2, P1, P2 ...). If this function is not used when printing multiple sets, prints will be output in page batches (P1, P1, P2, P2 ...). This function is useful when, for example, making presentation materials.

### Changing orientation or rotating the image

You can change the orientation of an image to portrait or landscape. You can also rotate the image by 180 degrees. Use rotation to prevent an image from being printed upside down when using paper with a predefined top and bottom (such as letterhead paper).

### Printing multiple pages per sheet

You can print multiple pages onto one sheet of paper.

When using this function, a suitable reduction ratio is selected automatically based on the paper size and the number of pages you want to fit on each sheet.

### Printing on both sides of paper (duplex printing)

You can print on both sides of paper.

### Reducing or enlarging the document

You can reduce or enlarge documents by a specific ratio, from 25% to 400% in 1% increments.

You can also reduce or enlarge documents automatically to fit a specific paper size. This function is useful, for example, when printing Web pages.

If the [Enable Large Papers] option is selected, A3/11 × 17/B4/8K documents can be scaled to a size that the machine supports, so that it can then be printed out.

### **Not printing of blank pages (only PostScript 3 printer driver)**

If a print job contains blank pages, they can be prevented from being printed.

Note that this setting has higher priority than [Blank Page Print] under [Printer Settings] of the control panel.

### **Printing with a cover page**

You can add a cover page to the print job.

You can select to leave the cover page blank, or print the first page of the document on the cover page. If a cover page is inserted into a duplex job, you can print on its back side also.

Paper for the cover page can either be the same as or different from the remaining pages.

### **Printing on custom size paper**

You can print using non-standard size paper by specifying the size of the paper as custom size.

To specify the custom paper size, select [Custom Paper Size] from the [Document Size:] list, and then click the [Custom Paper Size...] button in the lower part of the dialog box to configure the paper size.

### **Superimposing text on prints (watermark)**

You can superimpose watermark text on prints. Various predefined watermarks are provided. You can also create your own watermarks.

#### **↓ Note**

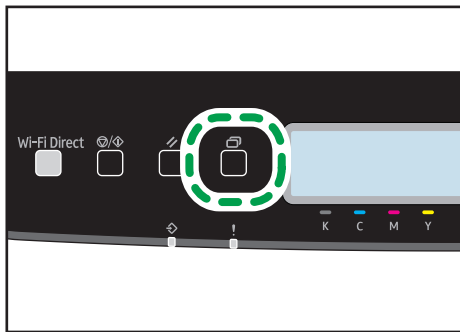
- Some of the functions described above might not be available depending on the printer driver or operating system. For details, see the printer driver Help.

# 4. Configuring the Machine Using the Control Panel

This chapter describes how to configure the machine using the control panel.

## Basic Operation

1. If you want to configure the machine's system settings, press the [Menu] key.



2. Press the [▲] or [▼] key to select the settings you want to use.
3. To confirm setting items and values displayed, press the [OK] key.
4. To go back to the previous item, press the [Back] key.

# Menu Chart

This section lists the parameters included in each menu.

For details about configuring the machine using Web Image Monitor, see page 92 "Using Web Image Monitor".

## Important

- Some items might not appear depending on the model type or machine's configuration.
- Some items can also be configured using Web Image Monitor.

### Admin. Tools

For details, see page 71 "Admin. Tools".

### Printer Settings

For details, see page 73 "Printer Settings".

### System Settings

For details, see page 77 "System Settings".

### Tray Paper Settings

For details, see page 81 "Tray Paper Settings".

### Wi-Fi Setup Wizard

For details, see Setup Guide.

### Network Settings

For details, see page 84 "Network Settings".

### Print List/Report

For details, see page 88 "Print List/Report".

### @Remote

For details, see page 89 "@Remote".



# Admin. Tools

## Energy Saver Mode

- EnergySaverMode 1

The machine enters EnergySaverMode 1 if the machine has been idle for about 30 seconds. It takes less time to recover from EnergySaverMode 1 than from power-off state or EnergySaverMode 2, but power consumption is higher in EnergySaverMode 1 than in EnergySaverMode 2.

Default: [Off]

- Off
  - On
- EnergySaverMode 2

The machine enters EnergySaverMode 2 after the period of time specified for this setting is passed. The machine consumes less power in EnergySaverMode 2 than in EnergySaverMode 1, but it takes longer to recover from EnergySaverMode 2 than from EnergySaverMode 1.

Default: 1 minute

1 to 60 minutes

## Language

Specifies the language used on the screen and in reports.

The default value for this setting is the language you have specified during the Initial Setup, which is required after turning on the machine for the first time.

You can select the language you want to use. Available languages are as follows:

English, German, French, Italian, Spanish, Dutch, Swedish, Norwegian, Danish, Finnish, Portuguese,

Czech, Hungarian, Polish, Simplified Chinese, Russian, Brazilian Portuguese,

Turkish, Traditional Chinese, Arabic

## Reset Settings

Be sure not to clear the settings by mistake.

- Reset All Settings

Resets the machine's settings to their defaults except the following:

- Language settings
- Network Settings

Press the [OK] key to execute. Press the [Back] key to exit to the previous level of the menu tree without clearing the settings.

- Reset Network Settings

Resets the network settings to their defaults.

Press the [OK] key to execute. Press the [Back] key to exit to the previous level of the menu tree without clearing the settings.

### **Admin. Tools Lock**

Specifies a four-digit password for accessing the [Network Settings], [Wi-Fi Setup Wizard], and [Admin. Tools] menus.

Do not forget this password.

Default: [**Off**]

- On (0000 to 9999)
- Off

## **4**

### **IPsec**

Selects whether to enable or disable IPsec.

This function appears only when a password is specified under [Admin. Tools Lock].

Default: [**Inactive**]

- Inactive
- Active

---

# Printer Settings

---

## List/Test Print

---

Prints lists showing configurations on the machine.

The lists will be printed using the tray set for [Printer] under [Paper Tray Priority] in [Tray Paper Settings] on A4 or Letter size paper.

- **Config. Page**  
Prints general information and the current configurations of the printer.
- **Menu List**  
Prints the menu list of the printer.
- **Test Page**  
Prints a test page for checking the single-sided printing condition. The test page contains network settings.
- **PCL Font List**  
Prints installed PCL font list.
- **PS Font List**  
Prints installed PostScript font list.

4

---

## System

---

### Copies

Sets the machine to print the specified number of sets.

This setting is disabled if the number of pages to print is specified by the printer driver.

Default: "1"

- 1 – 999

### Sub Paper Size

Sets the printer to print onto paper of another size if the specified paper is not loaded in any tray.



Alternative sizes are preset to A4 and Letter.

Default: [Off]

- Off
- Auto

### Default Page Size

Specifies the paper size to be used when the paper size is not specified in the print job.

Default:  **Region A** (mainly Europe and Asia) [**A4**],  **Region B** (mainly North America) [**8<sup>1</sup>/<sub>2</sub> × 11**]

- A4, B5 JIS, A5 SEF, A6, 8<sup>1</sup>/<sub>2</sub> × 14, 8<sup>1</sup>/<sub>2</sub> × 11, 7<sup>1</sup>/<sub>4</sub> × 10<sup>1</sup>/<sub>2</sub>, 8 × 13, 8<sup>1</sup>/<sub>2</sub> × 13, 8<sup>1</sup>/<sub>4</sub> × 13, 16K, C5 Env, C6 Env, DL Env, B6 JIS, 5<sup>1</sup>/<sub>2</sub> × 8<sup>1</sup>/<sub>2</sub>, 4<sup>1</sup>/<sub>8</sub> × 9<sup>1</sup>/<sub>2</sub>, 3<sup>7</sup>/<sub>8</sub> × 7<sup>1</sup>/<sub>2</sub>, A5 LEF, 8<sup>1</sup>/<sub>2</sub> × 13<sup>2</sup>/<sub>5</sub>, 8<sup>1</sup>/<sub>2</sub> × 13<sup>3</sup>/<sub>5</sub>

### Duplex

Sets the printer to print on both sides of paper according to the specified binding method.

Default: [**None**]

- None
- Long Edge Bind
- Short Edge Bind

### Blank Page Print

Sets the printer to print blank pages.

Note that this setting has lower priority than the printer driver's blank page setting.

When cover sheet printing is enabled from the printer driver, cover sheets are inserted even if you select [**Off**].

Default: [**On**]

- On
- Off

### B&W Page Detect

Sets the printer to print all monochrome pages in monochrome mode even if color printing is specified.

Default: [**On**]

- On
- Off

### Print Error Report

Sets the printer to print an error page when the printer detects a printer or memory error.

Default: [**Off**]

- On
- Off

---

## PCL Menu

---

Specifies conditions when using PCL for printing.

## Orientation



Specifies the page orientation.

Default: **[Portrait]**

- Portrait
- Landscape

## Form Lines

Specifies the number of lines per page between 5 and 128.

Default:  **Region A** (mainly Europe and Asia) **[64]**,  **Region B** (mainly North America) **[60]**

## Font Number

Specifies the ID of the default font you want to use between 0 and 89.

Default: **"0"**

## Point Size

Specifies the point size you want to use for the default font between 4.00 and 999.75 in 0.25 increments.

Default: **[12.00 points]**

## Font Pitch

Specifies the number of characters per inch you want to use for the default font between 0.44 and 99.99 in 0.01 increments.

This setting is effective only for fixed-space fonts.

Default: **[10.00 pitch]**

## Symbol Set

Specifies the character set for the default font. Available sets are as follows: PC-8, PC-8 D/N, PC-850, PC-852, PC-858, PC8-TK, Win L1, Win L2, Win L5, Desktop, PS Text, VN Intl, VN US, MS Publ, Math-8, PS Math, VN Math, Pifont, Legal, ISO 4, ISO 6, ISO 11, ISO 15, ISO 17, ISO 21, ISO 60, ISO 69, Win 3.0, MC Text, ISO L6, ISO L9, PC-775, PC-1004, Win Baltic, Roman-8, Roman-9, ISO L1, ISO L2, ISO L5

Default: **[PC-8]**

## Courier Font

Specifies a courier-type font.

Default: **[Regular]**

- Regular
- Dark

## Ext. A4 Width

Sets the printer to extend the width of the printable area of A4 size paper, reducing side margin width.

Default: [Off]

- Off
- On

### Append CR to LF

Sets the printer to append a CR code to each LF code to print text data clearly.

Default: [Off]

- On
- Off

### Resolution

Specifies the print resolution in dots per inch.

Default: [600 × 600 1bit]

- 600 × 600 1bit
- 600 × 600 2bit
- 600 × 600 4bit

4

---

## PS Menu

---

### PS Resolution

Specifies the print resolution in dots per inch.

Default: [600 × 600 1bit]

- 600 × 600 1bit
- 600 × 600 2bit
- 600 × 600 4bit

### Color Profile

Specifies the color profile.

Default: [Solid Color]

- Off
- Solid Color
- Presentation
- Photographic

# System Settings

## I/O Timeout

- USB

Specifies how many seconds the machine waits for print data, if the data is interrupted while it is being sent from the computer via USB. If the machine does not receive any more data within the time specified here, the machine only prints the data it has received. If printing is frequently interrupted by data from other ports, increase the timeout period.

Default: **[60 sec.]**

- 15 sec.
- 60 sec.
- 300 sec.

- Network

Specifies how many seconds the machine waits for print data, if the data is interrupted while it is being sent from the computer via network. If the machine does not receive any more data within the time specified here, the machine only prints the data it has received. If printing is frequently interrupted by data from other ports, increase the timeout period.

Default: **[60 sec.]**

- 15 sec.
- 60 sec.
- 300 sec.

- Locked Print

Specifies how many seconds the machine holds a new Locked Print file, when the machine cannot store any more Locked Print files. Within this time, you can print or delete the new Locked Print file. You can also print or delete an existing Locked Print file so that the new Locked Print file can be stored in the machine.

Default: **[60 seconds]**

- 0 to 300 seconds, in increments of 1 second

- Fixed USB Port

Specifies whether the same printer driver can be used for multiple machines or not under USB connection.

Default: **[Off]**

- Off

You must install the printer driver separately for individual machines, because the machine other than the original will be recognized as a new device upon USB connection.

- On

The same printer driver you have installed in your computer can be used with any machine other than the one originally used for installation, if the machine is of the same model.

- Export to NFC

Specifies whether or not to synchronize the data you have configured using the control panel and Web Image Monitor with the data stored in NFC.

You can read and write the data in NFC by using the application corresponding to the machine.

Default: [**On**]

- Off

Does not synchronize the data you have configured using the control panel and Web Image Monitor with the data stored in NFC.

- On

Synchronizes the data you have configured using the control panel and Web Image Monitor with the data stored in NFC.

### Auto Continue

Sets the printer to ignore an error with paper size or type and continue printing. The printing stops temporarily when an error is detected, and restarts automatically after about ten seconds using the settings made on the control panel. However, if the size of paper specified on the control panel and that of the paper loaded in the paper tray or the paper size specified for the print job do not match when printing restarts, it may cause a paper jam.

Default: [**Off**]

- Off
- On

### Supplies Status

Displays information about consumables.

- Toner  
Black, Magenta, Cyan, Yellow
- Other Supplies  
Print Cartridge, Fusing Unit, Transfer Roller, Int. Transfer Unit

### Toner Near End

Specifies the low toner level notification timing.

- Sooner

Low toner level notification will be made when the number of pages that can be printed with the remaining toner is approximately 300.



- Normal

Low toner level notification will be made when the number of pages that can be printed with the remaining toner is approximately 200.

- Later

Low toner level notification will be made when the number of pages that can be printed with the remaining toner is approximately 100.

Default: **[Normal]**

### **B&W Print Priority**

Sets the machine to suppress the consumption of color toner when printing black-and-white pages.

Default: **[Off]**

- Off
- On

### **Color Den/Reg**

Adjusts color density and registration automatically.

### **Auto Cleaning**

Sets the machine to execute periodic cleaning of the interior. You may hear some noise while cleaning is being executed. This noise does not indicate a malfunction.

Default: **[On]**

- Off
- On

### **Auto Power Off (mainly Europe)**

The machine shuts down automatically if it remains in energy saver mode and does not connect to the host for 2 hours or more.

Default: **[On]**

- Off
- On

### **Fixing quality mode**

Set this item to [Fixing quality improved] to increase the toner fusibility in order to improve its adherence, etc.

Default: **[Normal]**

- Normal
- Fixing quality improved

### **Curl Prevention Mode**

Set this to [Curl Prevented] to reduce paper curl.

Default: [**Normal**]

- Normal
- Curl Prevented

# Tray Paper Settings

## Paper Type: Tray 1

Specifies the paper type for Tray 1.

Default: [Plain Paper2]

- Thin Paper, Plain Paper1, Plain Paper2, Middle Thick Paper, Thick Paper 1, Thick Paper 2, Recycled Paper, Color Paper, Preprinted Paper, Prepunched Paper, Letterhead, Bond Paper, Cardstock, Label Paper, Envelope

## Paper Type: Tray 2

Specifies the paper type for Tray 2.

This setting appears only when the optional paper feed unit is installed.

Default: [Plain Paper2]

- Thin Paper, Plain Paper1, Plain Paper2, Middle Thick Paper, Thick Paper 1, Recycled Paper, Color Paper, Preprinted Paper, Prepunched Paper, Letterhead

## Paper Type: Bypass Tray

Specifies the paper type for the bypass tray.

Default: [Plain Paper2]

- Thin Paper, Plain Paper1, Plain Paper2, Middle Thick Paper, Thick Paper 1, Thick Paper 2, Recycled Paper, Color Paper, Prepunched Paper, Letterhead, Bond Paper, Cardstock, Label Paper, Envelope

## Tray Priority

Specifies the tray that the printer uses first for printer jobs from Tray 1 or tray 2.

If automatic tray selection is specified for the print job and both tray 1 and Tray 2 contain paper that matches the print job, the printer starts to print from the specified tray. If that tray runs out of paper, the printer automatically switches to the other tray to continue printing.



[Tray 2] appears only when the optional paper feed unit is installed.

Default: [Tray 1]

- Tray 1
- Tray 2

## Paper Size: Tray 1

Specifies the paper size for Tray 1.



Default:  **Region A** (mainly Europe and Asia) [A4],  **Region B** (mainly North America) [8<sup>1</sup>/<sub>2</sub> × 11]

- A4, A5 SEF, A5 LEF, A6, B5 JIS, B6 JIS, 8<sup>1</sup>/<sub>2</sub> × 14, 8<sup>1</sup>/<sub>2</sub> × 13, 8<sup>1</sup>/<sub>2</sub> × 11, 8<sup>1</sup>/<sub>4</sub> × 13, 8 × 13, 5<sup>1</sup>/<sub>2</sub> × 8<sup>1</sup>/<sub>2</sub>, 7<sup>1</sup>/<sub>4</sub> × 10<sup>1</sup>/<sub>2</sub>, 8<sup>1</sup>/<sub>2</sub> × 13<sup>2</sup>/<sub>5</sub>, 8<sup>1</sup>/<sub>2</sub> × 13<sup>3</sup>/<sub>5</sub>, 4<sup>1</sup>/<sub>8</sub> × 9<sup>1</sup>/<sub>2</sub>, 3<sup>7</sup>/<sub>8</sub> × 7<sup>1</sup>/<sub>2</sub>, C5 Env, C6 Env, DL Env, 16K, Custom Size

### Paper Size: Tray 2

Specifies the paper size for Tray 2.



This setting appears only when the optional paper feed unit is installed.

Default:  **Region A** (mainly Europe and Asia) [A4],  **Region B** (mainly North America) [8<sup>1</sup>/<sub>2</sub> × 11]

- A4, 8<sup>1</sup>/<sub>2</sub> × 11

### Paper Size: Bypass Tray

Specifies the paper size for the bypass tray.

Default:  **Region A** (mainly Europe and Asia) [A4],  **Region B** (mainly North America) [8<sup>1</sup>/<sub>2</sub> × 11]

- A4, A5 SEF, A5 LEF, A6, B5 JIS, B6 JIS, 8<sup>1</sup>/<sub>2</sub> × 14, 8<sup>1</sup>/<sub>2</sub> × 13, 8<sup>1</sup>/<sub>2</sub> × 11, 8<sup>1</sup>/<sub>4</sub> × 13, 8 × 13, 5<sup>1</sup>/<sub>2</sub> × 8<sup>1</sup>/<sub>2</sub>, 7<sup>1</sup>/<sub>4</sub> × 10<sup>1</sup>/<sub>2</sub>, 8<sup>1</sup>/<sub>2</sub> × 13<sup>2</sup>/<sub>5</sub>, 8<sup>1</sup>/<sub>2</sub> × 13<sup>3</sup>/<sub>5</sub>, 4<sup>1</sup>/<sub>8</sub> × 9<sup>1</sup>/<sub>2</sub>, 3<sup>7</sup>/<sub>8</sub> × 7<sup>1</sup>/<sub>2</sub>, C5 Env, C6 Env, DL Env, 16K, Custom Size

### Bypass Tray Priority

Specifies how print jobs using the bypass tray are handled.

Default: [Driver/Command]

- Machine Setting(s)

The paper settings configured on the machine's control panel are applied to all print jobs. An error occurs when the paper settings specified by the printer driver or the print command do not match the machine's settings.

- Driver/Command

When executing a print job specifying the paper tray, the paper settings specified in the printer driver or in the print command are applied regardless of the machine's settings.

- Any Size/Type

Printing proceeds even if the paper size/type settings of the printer and printer driver do not match. However, if the paper is too small for the print job, the printed image will be cropped.

- Any Custom Size/Type

The printer prints custom size print jobs according to the printer driver's settings and prints standard size print jobs according to the printer's settings.

For custom size print jobs, printing proceeds even if the paper size/type settings of the printer and printer driver do not match. However, if the paper is too small for the print job, the printed image will be cropped.

For standard size print jobs, an error will occur if the paper size/type settings of the printer and printer driver do not match.

### Paper Tray Priority

Specifies the tray that the machine uses first for print jobs from Tray 1 or Tray 2.

If multiple trays contain valid paper, the first tray the machine finds will be used for printing; when that tray runs out of paper, the machine automatically switches to the next tray to continue printing.

If Tray 2 is not installed, [Tray 2] does not appear.

- Printer

If automatic tray selection is specified for the print job and both tray 1 and tray 2 contain paper that matches the print job, the machine starts to print from the specified tray.

- Tray 1
- Tray 2

Default: [Tray 1]

### Tray1 Priority

Specifies how print jobs using the Tray 1 are handled.

Default: [Driver/Command]

- Machine Setting(s)

The paper settings configured on the machine's control panel are applied to all print jobs. An error occurs when the paper settings specified by the printer driver or the print command do not match the machine's settings.

- Driver/Command

When the paper tray is specified for a print job, the paper settings specified in the printer driver or in the print command are applied, regardless of the machine's settings.

### Size Mismatch Detection

Sets the machine to report an error if the paper size does not match the print job's settings.

- Off
- On

Default: [On]

# Network Settings

## Wired (Ethernet)

- **MAC Address**  
Displays the machine's MAC address.
- **Ethernet Speed**  
Displays the current Ethernet speed setting.
  - 100Mbps Full Duplex
  - 100Mbps Half Duplex
  - 10Mbps Full Duplex
  - 10Mbps Half Duplex
  - Ethernet Unavailable  
Appears when a network cable is not connected.
- **Set Ethernet Speed**  
Specifies the speed for Ethernet communication. Select a speed that matches your network environment.  
For most networks, the default setting is the optimum setting.  
Default: **[Auto Select]**
  - Auto Select
  - 100Mbps Full Duplex
  - 100Mbps Half Duplex
  - 10Mbps Full Duplex
  - 10Mbps Half Duplex

## Wireless (Wi-Fi)

- **Enable Wireless (Wi-Fi)**  
Select whether to enable or disable Wireless LAN.  
If [Disable] is set, [Wireless (Wi-Fi) Status], [MAC Address], [Current Connection], [Input SSID], [WPS], [Wi-Fi Direct], [Wi-Fi Dir. PWD], and [Wi-Fi Direct Type] are not displayed.  
Default: **[Disable]**
  - Disable
  - Enable
- **Wireless (Wi-Fi) Status**  
Displays the current connection status.
- **MAC Address**

Displays the machine's MAC address.

- Current Connection

Displays detailed information about the connection, such as the SSID and the wireless signal strength.

- Input SSID

Input the SSID of the machine.

- WPS

Connects with one touch using WPS (Wi-Fi Protected Setup). For details, see Setup Guide.

- PBC
- PIN

- Wi-Fi Direct

Input the SSID of the machine to configure Wi-Fi Direct.

- W-iFi Dir. PWD

Input SSID to set a password for Wi-Fi Direct.

- Wi-Fi Direct Type

Select 2.4 GHz or 5 GHz as the wireless LAN frequency.

Default: **[2.4 GHz]**

- 2.4 GHz
- 5 GHz

## IPv4 Configuration

- DHCP

Sets the machine to receive its IPv4 address, subnet mask, and default gateway address automatically from a DHCP server.

Default: **[Active]**

- Inactive
- Active

- IP Address

Specifies the machine's IPv4 address when DHCP is not used.

Use this menu to check the current IP address when DHCP is used.

Default: **11.22.33.44**

- Subnet Mask

Specifies the machine's subnet mask when DHCP is not used.

Use this menu to check the current subnet mask when DHCP is used.

Default: **255.255.255.0**

- Gateway Address  
Specifies the machine's default gateway address when DHCP is not used.  
Use this menu to check the current default gateway address when DHCP is used.  
Default: **11.22.33.44**
- IP Address Method  
Displays the IP address acquisition method.
  - DHCP
  - Auto IP
  - Manual Config.
  - Default IP
- Wi-Fi Direct IP Address  
Displays the IP address of Wi-Fi Direct.

### IPv6 Configuration

- IPv6  
Selects whether to enable or disable IPv6.  
Default: [**Active**]
  - Inactive
  - Active
- DHCP  
Sets the printer to receive its IPv6 address from a DHCP server.  
When DHCP is used, you cannot specify the IPv6 address manually.  
Default: [**Inactive**]
  - Inactive
  - Active
- IP Address (DHCP)  
Displays the IPv6 address obtained from a DHCP server.
- Manual Config. Address
  - Manual Config. Address  
Specifies the machine's IPv6 address when DHCP is not used. Can contain up to 39 characters.
  - Prefix Length  
Specifies the prefix length, using a value between 0 and 128.
  - Gateway Address



Specifies the IPv6 address of the default gateway. Can contain up to 39 characters.

- Stateless Address

Displays the IPv6 stateless addresses obtained from a Router Advertisement

- Stateless Address 1
- Stateless Address 2
- Stateless Address 3
- Stateless Address 4

- Link-local Address

Displays the IPv6 link local address.

### **Connect Method**

Selects the method of the Wi-Fi connection.

- Wired (Ethernet)
- Wireless (Wi-Fi)

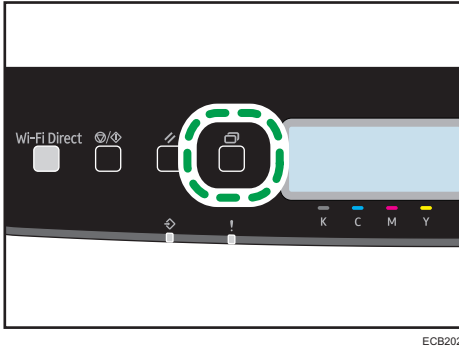
# Print List/Report

---

## Printing the Configuration Page

---

1. Press the [Menu] key.



The menu screen appears.

2. Press the [▲] or [▼] key to select [Print List/Report], and then press the [OK] key.
3. Press the [▲] or [▼] key to select [Configuration Page], and then press the [OK] key twice.

The configuration page is printed. The [Print List/Report] screen appears on completion of printing.

---

## Types of Lists/Reports

---

### Configuration Page

Prints general information and the current configurations of the printer.

### Maintenance Page

Prints the maintenance page.

#### ↓ Note

- The lists will be printed using the tray set for [Paper Tray Priority] in paper input settings on A4 or Letter size paper.

# @Remote

## RC Gate ProxySvr.

- RC Gate ProxySvr.  
Specify whether to use a proxy server.  
Default: [Off]
  - Off
  - On
- Proxy Address  
Specify the proxy server address.
- Port Number  
Enter the port number (1 to 65535) for the proxy server.
- User Name  
Enter the user name for logging in to the proxy server.
- Password  
Enter the password for logging in to the proxy server.

## RC Gate Setup

- Request No.  
Displays the request number issued by @Remote.
- Reference  
Refers to the machine's registration information.
- RC Gate Location  
Displays the location of the machine as a result of the reference function. Confirm the information and proceed with the registration.
- Registration  
Registers the machine to @Remote.

### ↓ Note

- @Remote (At Remote) is an Internet-based support for remote management of digital multi-purpose devices and laser printers. For more information about the settings, contact your sales or service representative.



# 5. Configuring the Machine Using Utilities

---

This chapter describes how to configure the machine using utilities.

## Available Setting Functions Using Web Image Monitor

Use Web Image Monitor to change the configuration of the machine from a computer.

Available operations for Web Image Monitor is as follows:

The following operations can be performed remotely using Web Image Monitor on a computer:

- Displaying the machine's status or settings
- Configuring the machine's settings
- Configuring the user restriction settings
- Configuring the network settings
- Configuring the IPsec settings
- Printing reports
- Setting the administrator password
- Resetting the machine's configuration to the factory default
- Creating backup files of the machine's configuration
- Restoring the machine's configuration from backup files
- Configuring the machine's Energy Saver mode setting

# Using Web Image Monitor

**★ Important**

- Some items might not appear, depending on the model type you are using.
- Some items can also be configured using the control panel.

**Recommended web browsers**

- Internet Explorer 9 or later
- Microsoft Edge
- Google Chrome version 3.0 or later
- Firefox 3.0 or later
- Safari 4.0 or later

**↓ Note**

- To operate the machine via Web Image Monitor, you must first configure the machine's TCP/IP or wireless LAN settings. For details, see page 84 "Network Settings" or see page 107 "Configuring the Network Settings".

# Displaying Top Page

When you access the machine using Web Image Monitor, the top page appears in your browser's window.

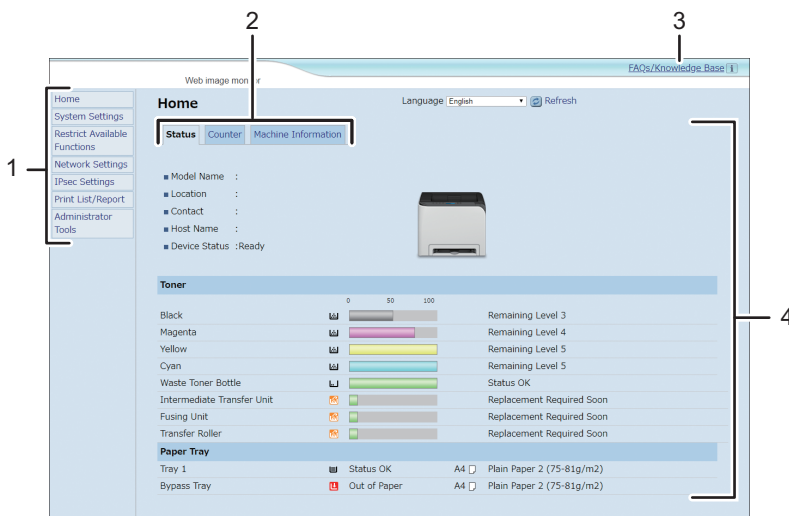
1. Launch the Web browser.
2. In the Web browser's address bar, enter "http://(machine's IP address)/" to access the machine.

If a DNS server is used and the machine's host name has been specified, you can enter the host name instead of the IP address.

The top page of Web Image Monitor appears.

## Top page

Every Web Image Monitor page is divided into the following areas:



ECB253

1. Menu area  
Clicking a menu shows its contents in the main area.
2. Tab area  
Contains tabs for switching between information and settings you want to see or configure.
3. FAQs/Knowledge Base  
Provides answers to frequently asked questions and other useful information about using this machine.  
An internet connection is required to view this information.

#### 4. Main area

Displays the contents of the item selected in the menu area.

Information in the main area is not automatically updated. Click [Refresh] at the upper-right in the main area to update the information. Click the Web browser's [Refresh] button to refresh the entire browser screen.

#### Note

- If you use an older version of a supported Web browser or the Web browser has JavaScript and cookies disabled, display and operation problems may occur.
- If you are using a proxy server, configure the Web browser settings as necessary. For details about the settings, contact your network administrator.
- The previous page may not appear even if the back button of the Web browser is clicked. If this happens, click the refresh button of the Web browser.
- The FAQs (Frequently Asked Questions)/Knowledge Base are not available in certain languages.

---

## Changing the Interface Language

---

Select the desired interface language from the [Language] list.



# Checking the System Information

Click [Home] to display the main page of Web Image Monitor. You can check the current system information on this page.

This page contains three tabs: [Status], [Counter], and [Machine Information].

## Status Tab

Item	Description
Model Name	Shows the name of the machine.
Location	Shows the location of the machine as registered on the [SNMP] page.
Contact	Shows the contact information of the machine as registered on the [SNMP] page.
Host Name	Shows the host name specified in [Host Name] on the [DNS] page.
Device Status	Shows the current messages on the machine's display.

5

## Toner

Item	Description
Black	Shows the amount of black toner remaining.
Magenta	Shows the amount of magenta toner remaining.
Yellow	Shows the amount of yellow toner remaining.
Cyan	Shows the amount of cyan toner remaining.
Waste Toner Bottle	Shows the remaining life of the waste toner bottle, as "Status OK", "Almost Full" or "Full".
Intermediate Transfer Unit	Shows the remaining life of the intermediate transfer unit, as "Status OK", "Replacement Required Soon" or "Replacement Required". For replacing, contact your sales or service representative.
Fusing Unit	Shows the remaining life of the fusing unit, as "Status OK", "Replacement Required Soon" or "Replacement Required". For replacing, contact your sales or service representative.

Item	Description
Transfer Roller	Shows the remaining life of the transfer roller, as "Status OK", "Replacement Required Soon" or "Replacement Required".  For replacing, contact your sales or service representative.

**Paper Tray**

Item	Description
Tray 1	Shows the current state and paper size/type setting of Tray 1.
Tray 2	Shows the current state and paper size/type setting of Tray 2.
Bypass Tray	Shows the current state and paper size/type setting of the bypass tray.

5

**Note**

- If a non-genuine print cartridge is installed, toner life cannot be reliably indicated.
- The information about Tray 2 appears only when it is installed.

**Counter Tab**

**Machine Counter**

Item	Description
Machine Counter	Shows the following for pages printed, including lists/reports: <ul style="list-style-type: none"> <li>• Total number of pages</li> <li>• Number of color pages</li> <li>• Number of black-and-white pages</li> </ul>
Black	Shows the following for pages printed, including lists/reports: <ul style="list-style-type: none"> <li>• Accumulated value of black toner A4 page coverage (in percent)</li> <li>• Accumulated value of black toner consumption (converted into fully-covered A4 pages)</li> </ul>
Cyan	Shows the following for pages printed, including lists/reports: <ul style="list-style-type: none"> <li>• Accumulated value of cyan toner A4 page coverage (in percent)</li> <li>• Accumulated value of cyan toner consumption (converted into fully-covered A4 pages)</li> </ul>

Item	Description
Magenta	Shows the following for pages printed, including lists/reports: <ul style="list-style-type: none"> <li>• Accumulated value of magenta toner A4 page coverage (in percent)</li> <li>• Accumulated value of magenta toner consumption (converted into fully-covered A4 pages)</li> </ul>
Yellow	Shows the following for pages printed, including lists/reports: <ul style="list-style-type: none"> <li>• Accumulated value of yellow toner A4 page coverage (in percent)</li> <li>• Accumulated value of yellow toner consumption (converted into fully-covered A4 pages)</li> </ul>

### Economy Color Prints

Item	Description
Economy Color Prints (Color)	Shows the number of pages printed in Economy Color Printing mode using the printer function.
Black	Shows the following for pages printed in Economy Color Printing mode using the printer function: <ul style="list-style-type: none"> <li>• Accumulated value of black toner A4 page coverage (in percent)</li> <li>• Accumulated value of black toner consumption (converted into fully-covered A4 pages)</li> </ul>
Cyan	Shows the following for pages printed in Economy Color Printing mode using the printer function: <ul style="list-style-type: none"> <li>• Accumulated value of cyan toner A4 page coverage (in percent)</li> <li>• Accumulated value of cyan toner consumption (converted into fully-covered A4 pages)</li> </ul>
Magenta	Shows the following for pages printed in Economy Color Printing mode using the printer function: <ul style="list-style-type: none"> <li>• Accumulated value of magenta toner A4 page coverage (in percent)</li> <li>• Accumulated value of magenta toner consumption (converted into fully-covered A4 pages)</li> </ul>
Yellow	Shows the following for pages printed in Economy Color Printing mode using the printer function: <ul style="list-style-type: none"> <li>• Accumulated value of yellow toner A4 page coverage (in percent)</li> <li>• Accumulated value of yellow toner consumption (converted into fully-covered A4 pages)</li> </ul>

### Duplex

Item	Description
Duplex Total Page	Shows the total number of sheets printed on both sides.

**Note**

- A sheet printed on both sides counts as two printed pages.

---

### Machine Information Tab

---

#### Machine Information

Item	Description
Firmware Version	Shows the version of firmware installed on the machine.
Engine FW Version	Shows the version of firmware for the machine engine.
PCL Version	Shows the version of the PCL interpreter.
PS Version	Shows the version of the PS interpreter.
Machine ID	Shows the identification number of the machine.
Total Memory	Shows the total memory installed on the machine.

# Configuring the System Settings

Click [System Settings] to display the page for configuring the system settings.

This page contains the following tabs: [Tray Paper Settings], [B&W Print Priority] and [I/O Timeout].

## Tray Paper Settings Tab

### Tray 1

Item	Description
Paper Size	Select the paper size for Tray 1 from the following: A4, A5, A5 (210 × 148 mm), A6, B5 JIS, B6 JIS, 8 <sup>1</sup> / <sub>2</sub> × 14, 8 <sup>1</sup> / <sub>2</sub> × 13, 8 <sup>1</sup> / <sub>2</sub> × 11, 8 <sup>1</sup> / <sub>4</sub> × 13, 8 × 13, 5 <sup>1</sup> / <sub>2</sub> × 8 <sup>1</sup> / <sub>2</sub> , 7 <sup>1</sup> / <sub>4</sub> × 10 <sup>1</sup> / <sub>2</sub> , 8 <sup>1</sup> / <sub>2</sub> × 13 <sup>2</sup> / <sub>5</sub> , 8 <sup>1</sup> / <sub>2</sub> × 13 <sup>3</sup> / <sub>5</sub> , 4 <sup>1</sup> / <sub>8</sub> × 9 <sup>1</sup> / <sub>2</sub> , 3 <sup>7</sup> / <sub>8</sub> × 7 <sup>1</sup> / <sub>2</sub> , C5 Env, C6 Env, DL Env, 16K, Custom Size
Paper Type	Select the paper type for Tray 1 from the following: Thin Paper (60-65g/m <sup>2</sup> ), Plain Paper 1 (66-74g/m <sup>2</sup> ), Plain Paper 2 (75-81g/m <sup>2</sup> ), Middle Thick (82-90g/m <sup>2</sup> ), Thick Paper 1 (91-105g/m <sup>2</sup> ), Thick Paper 2 (106-163g/m <sup>2</sup> ), Recycled Paper, Color Paper, Prepunched Paper, Letterhead, Bond Paper, Preprinted Paper, Cardstock, Label Paper, Envelope

### Tray 2

Item	Description
Paper Size	Select the paper size for Tray 2 from the following: A4, 8 <sup>1</sup> / <sub>2</sub> × 11
Paper Type	Select the paper type for Tray 2 from the following: Thin Paper (60-65g/m <sup>2</sup> ), Plain Paper 1 (66-74g/m <sup>2</sup> ), Plain Paper 2 (75-81g/m <sup>2</sup> ), Middle Thick (82-90g/m <sup>2</sup> ), Thick Paper 1 (91-105g/m <sup>2</sup> ), Recycled Paper, Color Paper, Letterhead, Preprinted Paper, Prepunched Paper

**Bypass Tray**

Item	Description
Paper Size	Select the paper size for the bypass tray from the following: A4, A5, A5 (210 × 148 mm), A6, B5 JIS, B6 JIS, 8 <sup>1</sup> / <sub>2</sub> × 14, 8 <sup>1</sup> / <sub>2</sub> × 13, 8 <sup>1</sup> / <sub>2</sub> × 11, 8 <sup>1</sup> / <sub>4</sub> × 13, 8 × 13, 5 <sup>1</sup> / <sub>2</sub> × 8 <sup>1</sup> / <sub>2</sub> , 7 <sup>1</sup> / <sub>4</sub> × 10 <sup>1</sup> / <sub>2</sub> , 8 <sup>1</sup> / <sub>2</sub> × 13 <sup>2</sup> / <sub>5</sub> , 8 <sup>1</sup> / <sub>2</sub> × 13 <sup>3</sup> / <sub>5</sub> , 4 <sup>1</sup> / <sub>8</sub> × 9 <sup>1</sup> / <sub>2</sub> , 3 <sup>7</sup> / <sub>8</sub> × 7 <sup>1</sup> / <sub>2</sub> , C5 Env, C6 Env, DL Env, 16K, Custom Size
Paper Type	Select the paper type for the bypass tray from the following: Thin Paper (60-65g/m <sup>2</sup> ), Plain Paper 1 (66-74g/m <sup>2</sup> ), Plain Paper 2 (75-81g/m <sup>2</sup> ), Middle Thick (82-90g/m <sup>2</sup> ), Thick Paper 1 (91-105g/m <sup>2</sup> ), Thick Paper 2 (106-163g/m <sup>2</sup> ), Recycled Paper, Color Paper, Prepunched Paper, Letterhead, Bond Paper, Cardstock, Label Paper, Envelope

5

**Priority Tray**

Item	Description
Priority Tray	Select the tray that the printer uses first for printer jobs from Tray 1 or Tray 2.  If automatic tray selection is specified for the print job and both Tray 1 and Tray 2 contain paper that matches the print job, the printer starts to print from the specified tray. If that tray runs out of paper, the printer automatically switches to the other tray to continue printing.

**Tray 1 Priority**

Item	Description
Tray 1 Priority	Select how print jobs using the Tray 1 are handled. <ul style="list-style-type: none"> <li>• System Settings The paper settings configured on the machine's control panel are applied to all print jobs. An error occurs when the paper settings specified by the printer driver or the print command do not match the machine's settings.</li> <li>• Driver/Command When executing a print job specifying the paper tray, the paper settings specified in the printer driver or in the print command are applied regardless of the machine's settings.</li> </ul>

**Bypass Tray Setting Priority**

Item	Description
Bypass Tray Setting Priority	<p>Select how print jobs using the bypass tray are handled.</p> <ul style="list-style-type: none"> <li>• <b>System Settings</b> The paper settings configured on the machine's control panel are applied to all print jobs. An error occurs when the paper settings specified by the printer driver or the print command do not match the machine's settings.</li> <li>• <b>Driver/Command</b> When executing a print job specifying the paper tray, the paper settings specified in the printer driver or in the print command are applied regardless of the machine's settings.</li> <li>• <b>Any Size/Type</b> Printing proceeds even if the paper size/type settings of the machine and printer driver do not match, but if the paper is too small for the print job, the printed image will be cropped.</li> <li>• <b>Any Custom Size/Type</b> The machine prints custom size print jobs according to the printer driver's settings and prints standard size print jobs according to the machine's settings.  For custom size print jobs, printing proceeds even if the paper size/type settings of the machine and printer driver do not match, but if the paper is too small for the print job, the printed image will be cropped.  For standard size print jobs, an error will occur if the paper size/type settings of the machine and printer driver do not match.</li> </ul>

**Note**

- The information about Tray 2 appears only when it is installed.

## I/O Timeout Tab

### I/O Timeout

Item	Description
Fixed USB Port	<p>Specifies whether the same printer can be used for multiple machines or not under USB connection.</p> <p>If this setting is enabled, the same printer driver you have installed in your computer can be used with any machine other than the one originally used for installation, if the machine is of the same model.</p> <p>If disabled, you must install the printer driver separately for individual machines, because the machine other than the original will be recognized as a new device upon USB connection.</p>
NFC	<p>Specifies whether or not to synchronize the data you have configured using the control panel and Web Image Monitor with the data stored in NFC.</p> <p>You can read and write the data in NFC by using the application corresponding to the machine.</p>
Locked Print Timeout (seconds)	<p>Specifies how many seconds the machine holds a new Locked Print file, when the machine cannot store any more Locked Print files (0 to 300 seconds). Within this time, you can print or delete the new Locked Print file.</p> <p>You can also print or delete an existing Locked Print file so that the new Locked Print file can be stored in the machine.</p>

#### ↓ Note

- [Locked Print Timeout (seconds)] appears only for P C301W.

## Black-and-White Print Priority Tab

### B&W Print Priority

Item	Description
B&W Print Priority	<p>Enable this setting to suppress the consumption of color toner when printing black-and-white pages. Also, amount of color toner consumed during warm-up time for maintenance will also be lowered.</p>



# Restricting Machine Functions According to User

You can configure settings to require a user code when someone tries to use certain machine functions. To enable this setting, you must first configure the machine settings via Web Image Monitor.

## ★ Important

- To print jobs that require authentication you can use only the PCL printer driver. Printing such jobs from the PostScript 3 printer driver is not possible.

## ↓ Note

- For details about using Web Image Monitor, see page 92 "Using Web Image Monitor".

## Enabling the User Restriction Settings

5

This section explains how to configure settings to permit only authorized users to use certain machine functions.

Using Web Image Monitor, enable user restriction for all or some of the functions listed below, and then register users who can use those functions.

- Printing (both color and black-and-white)
- Color printing

You can specify functions available to each user upon authentication. Up to 30 users can be registered.

1. Start the Web browser, and access the machine by entering its IP address.
2. Click [Restrict Available Functions].
3. Enter the administrator password if required.
4. Click [Apply].
5. Under "Available Functions", select [Restrict] for the functions you want to restrict, and then click [Apply].

**Restrict Available Functions**

Available Functions Available Functions per User

■ Printing :  Restrict  Do not Restrict

■ Color Printing :  Restrict  Do not Restrict

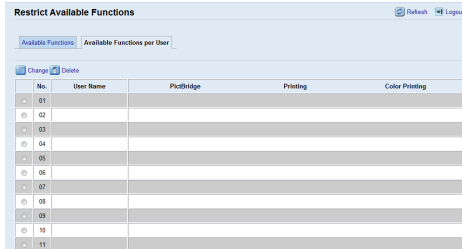
Apply Cancel

Select [Do not Restrict] for the functions you do not want to restrict.

The user restriction setting is enabled for the selected function. Proceed to the following steps to register users.

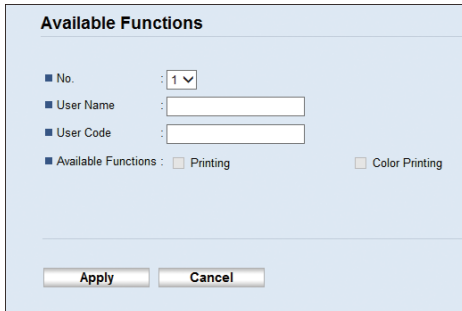
**6. Click [Available Functions per User].**

A list of currently registered user entries appears.



**7. Select a user entry, and then click [Change].**

The following window appears.



**8. Enter the user name in [User Name] using up to 16 alphanumeric characters.**

**9. Enter the user code in [User Code] using up to 8 digits.**

The user code will be used to authenticate users when they try to use a restricted function.

**10. Select the functions you want to make available to the user upon authentication.**

Unselected functions will be unavailable to users authenticated under this user code.

**11. Click [Apply].**

**12. Close the Web browser.**

**Note**

- You must enter both the user name and user code to register a user entry.
- Make sure that different user entries do not share the same user name or user code.

**Modifying user entries**

This section explains how to modify user entries.

1. Start the Web browser, and access the machine by entering its IP address.
2. Click [Restrict Available Functions].
3. Enter the administrator password if required.
4. Click [Apply].
5. Click [Available Functions per User].  
A list of currently registered user entries appears.
6. Select the entry to modify, and then click [Change].
7. Modify settings as necessary.
8. Click [Apply].
9. Close the Web browser.

## Deleting user entries

---

This section explains how to delete user entries.

1. Start the Web browser, and access the machine by entering its IP address.
2. Click [Restrict Available Functions].
3. Enter the administrator password if required.
4. Click [Apply].
5. Click [Available Functions per User].  
A list of currently registered user entries appears.
6. Select the entry to delete, and then click [Delete].
7. Confirm that the entry you have selected is the entry that you want to delete.
8. Click [Apply].
9. Close the Web browser.

## When Machine Functions are Restricted

Restricted functions can be used only by authorized users.

Depending on the restricted function, users will be authenticated from the machine's control panel or in the printer driver.

### ★ Important

- To print jobs that require authentication you can use only the PCL printer driver. Printing such jobs from the PostScript 3 printer driver is not possible.
- The procedure in this section is an example based on Windows 10.

The table below shows the functions that can be restricted, and how users can be authenticated to use them.

Restricted Function	Authentication method
<ul style="list-style-type: none"> <li>• Printing (both color and black-and-white)</li> <li>• Color printing</li> </ul>	The user must enter a valid user code in the printer driver before executing a print command.

### Authentication using the printer driver

1. Open the file you want to print on your computer.
2. On the [File] menu, click [Print...].
3. In the [Select Printer] area, select the name of this machine, and then click [Preferences].
4. Click the [Valid Access] tab.
5. Enter the user code using 1 to 8 digits, and then click [OK].
6. Execute a print command.

If an incorrect user code is entered, the job will be canceled automatically (without any error message).

# Configuring the Network Settings

Click [Network Settings] to display the page for configuring the network settings.

This page contains the following tabs: [Network Status], [IPv6 Configuration], [Network Application], [DNS], [Auto E-mail Notification], [SNMP], [SMTP], [POP3], [Wireless], and [Certificate].

## ★ Important

- Depending on the settings you change, the machine might need to be restarted.
- Depending on the model you are using, some items might not appear.

## Network Status Tab

### General Status

Item	Description
Ethernet Speed	Shows the type and speed of the network connection.
IPP Printer Name	Shows the name used to identify the machine on the network.
Network Version	Shows the version of the machine's network module (a part of the machine firmware).
Ethernet MAC Address	Shows the Ethernet MAC address of the machine.
Active Interface	Shows the active communication method.
Wi-Fi Direct IP Address	Shows the IP address of Wi-Fi Direct.

### TCP/IP Status

Item	Description
DHCP	Select whether the machine should receive a dynamic IPv4 address automatically using DHCP. To use DHCP, select [Active]. When enabled, the items below cannot be configured.
IP Address	Enter the IPv4 address for the machine.
Subnet Mask	Enter the subnet mask of the network.
Gateway	Enter the IPv4 address of the network gateway.

## IPv6 Configuration Tab

### IPv6

Item	Description
IPv6	Select whether to enable or disable IPv6. You cannot disable IPv6 using Web Image Monitor if the machine is currently in use in an IPv6 environment. In this case, use the control panel to disable [IPv6] under network settings.  When disabled, [DHCP], [Manual Configuration Address], [Prefix Length], and [Gateway Address] below cannot be configured.

### IPv6 Address

Item	Description
DHCP	Select whether or not the machine obtains its IPv6 address from a DHCP server.
IP Address (DHCP)	Displays the IPv6 address obtained from the DHCP server when [DHCP] is set to [Active].
Stateless Address	Displays up to four stateless auto addresses.
Gateway Address	Displays the machine's default gateway address.
Link-local Address	Displays the link local address of the machine. The link local address is an address that is valid only inside the local network (local segment).
Manual Configuration Address	Enter the machine's IPv6 address. Can contain up to 39 characters.
Prefix Length	Enter the prefix length, using a value between 0 and 128.
Gateway Address	Enter the default gateway's IPv6 address. Can contain up to 39 characters.

## Network Application Tab

### Network Print Setting

Item	Description
IPP	Select to enable network printing using Internet Print Protocol (via TCP port 631/80).

Item	Description
FTP	Select to enable network printing using an embedded FTP server in the machine (via TCP port 20/21).
RAW	Select to enable network raw printing.
Port No.	Enter the TCP port number to use for raw printing. The valid range is 1024 to 65535, except 53550 and 49999 (default is 9100).
LPR	Select to enable network printing using LPR/LPD (via TCP port 515).

### mDNS Setting

Item	Description
mDNS	Select to enable Multicast DNS (via UDP port 5353). If disabled, the item below cannot be configured.
Printer Name	Enter the name of the machine. Can contain up to 32 characters.

## DNS Tab

### DNS

Item	Description
DNS Method	Select whether to specify domain name servers manually or receive DNS information from the network automatically. When set to [Auto-Obtain (DHCP)], [Primary DNS Server], [Secondary DNS Server], and [Domain Name] below become unavailable.
Primary DNS Server	Enter the IPv4 address of the primary DNS.
Secondary DNS Server	Enter the IPv4 address of the secondary DNS.
Domain Name	Enter the IPv4 domain name for the machine. Can contain up to 32 characters.
IPv6 DNS Method	Select whether to specify the domain server manually or have the machine obtain its DNS information automatically.  When set to [Auto-Obtain (DHCP)], [Primary IPv6 DNS Server], [Secondary IPv6 DNS Server], and [IPv6 Domain Name] below become unavailable.

Item	Description
Primary IPv6 DNS Server	Enter the IPv6 address of the primary IPv6 DNS server. Can contain up to 39 characters.
Secondary IPv6 DNS Server	Enter the IPv6 address of the secondary IPv6 DNS server. Can contain up to 39 characters.
IPv6 Domain Name	Enter the IPv6 domain name of the machine. Can contain up to 32 characters.
DNS Resolve Priority	Select whether to give priority to IPv4 or IPv6 for DNS name resolution.
DNS Timeout (seconds)	Enter the number of seconds the machine waits before considering a DNS request to have timed out (1 to 999 seconds).
Host Name	Enter a host name for the machine. Can contain up to 15 characters.

## Auto E-mail Notification Tab

### E-mail Notification 1/E-mail Notification 2

Item	Description
Display Name	Enter a sender name for notification e-mail. Can contain up to 32 characters.
E-mail Address	Enter the address of the recipient of the alert email. Can contain up to 64 characters.
Paper Misfeed	Select to send an alert e-mail to the specified address if a paper jam occurs.
Out of Paper	Select to send an alert e-mail to the specified address if paper runs out.
Toner Almost Empty	Select to send an alert e-mail to the specified address if toner becomes low.
Call Service	Select to send an alert e-mail to the specified address if the machine requires servicing.
Out of Toner	Select to send an alert e-mail to the specified address if toner runs out.
Cover Open	Select to send an alert e-mail to the specified address if a cover is open.



## SNMP Tab

### SNMP

Item	Description
SNMP	Select whether to enable the machine to use SNMP services.

### Trap

Item	Description
Target Trap	Select whether to enable the machine to send traps to the management host (NMS). When disabled, [SNMP Management Host 1] and [SNMP Management Host 2] below become unavailable.
SNMP Management Host 1	Enter the IP address or host name of a management host. Can contain up to 64 characters.
SNMP Management Host 2	Enter the IP address or host name of a management host. Can contain up to 64 characters.

### Community

Item	Description
Get Community	Enter the community name to use for authentication of Get requests. Can contain up to 32 characters.
Trap Community	Enter the community name to use for authentication of Trap requests. Can contain up to 32 characters.

### System

Item	Description
Location	Enter the location of the machine. The location entered here is displayed on the main page. Can contain up to 64 characters.
Contact	Enter the contact information of the machine. The contact information entered here is displayed on the main page. Can contain up to 64 characters.

## SMTP Tab

### SMTP

Item	Description
Primary SMTP Server	Enter the IP address or host name of the SMTP/POP3 server. Can contain up to 64 characters.
Port No.	Enter the port number for SMTP (1 to 65535).
Authentication Method	Select an authentication method from the following: [Anonymous]: The user name and password are not necessary. [SMTP]: The machine supports NTLM and LOGIN authentication. [POP before SMTP]: The POP3 server is used for authentication. When sending e-mails to an SMTP server, you can enhance the SMTP server security level by connecting to the POP server for authentication.
User Name	Enter the user name for logging in to the SMTP server. Can contain up to 32 characters.
Password	Enter the password for logging in to the SMTP server. Can contain up to 32 characters.
Device E-mail Address	Enter the machine's e-mail address. This address is used as the sender's address of e-mail messages sent from this machine, such as notification e-mails. Can contain up to 64 characters.
Server Timeout (seconds)	Enter the number of seconds the machine waits before considering an SMTP operation to have timed out (1 to 999).

## POP3 Tab

### POP3 Settings

Item	Description
POP3 Server	Enter the IP address or host name of the POP3 server for e-mail reception. The POP3 server specified here will be used for [POP before SMTP]. Can contain up to 64 characters.
User Account	Enter the user name for logging in to the POP3 server. Can contain up to 32 characters.

Item	Description
User Password	Enter the password for logging in to the POP3 server. Can contain up to 32 characters.
Authentication	Select an authentication method from the following: [None]: Password will not be encrypted. [APOP Authentication]: Password will be encrypted. [Auto]: Password will be encrypted or not encrypted according to the POP3 server's settings.

## Wireless Tab

### Wireless LAN Status

Item	Description
Wireless LAN Status	Displays the status of the connection to the wireless LAN.
MAC Address	Displays the MAC address.
Communication Mode	Displays the communication mode that the machine is connecting in.
SSID	Displays the SSID of the access point that the machine is connected to.
Wireless Signal Status	Displays the strength of the wireless signal that is being received.
Wireless	Specifies whether or not to use the wireless LAN.

### Wireless LAN Settings

Item	Description
SSID	Enter the SSID of the access point. The SSID can contain up to 32 characters. When you click [Scan List], a list of available access points is displayed. You can select the SSID from the list.
Communication Mode	[Infrastructure] is selected by default. Therefore, connect the machine to a wireless router or access point.
Authentication	Select an authentication method.
Encryption	Select an encryption method.

Item	Description
WPA Passphrase	If [WPA2-PSK] or [Mixed Mode WPA/WPA2] is selected for [Authentication], enter the WPA encryption key.
WEP Key Length	If [WEP] is selected for [Encryption], select 64 bits or 128 bits for the length of the encryption key.
WEP Transmit Key ID	Select an ID number to identify each WEP key in case multiple WEP connections are configured.
WEP Key Format	Select a format for entering the WEP key.
WEP Key	Enter the WEP key. The number and type of characters you can enter vary depending on the length and format selected for the key. See the following: <ul style="list-style-type: none"> <li>• WEP key length: [64bit], Format: [Hexadecimal] WEP key max length: 10 characters (0-9, A-F, a-f)</li> <li>• WEP key length: [64bit], Format: [ASCII] WEP key max length: 5 characters (0x20-0x7e)</li> <li>• WEP key length: [128bit], Format: [Hexadecimal] WEP key max length: 26 characters (0-9, A-F, a-f)</li> <li>• WEP key length: [128bit], Format: [ASCII] WEP key max length: 13 characters (0x20-0x7e)</li> </ul>

**Note**

- If you are configuring the connection settings manually, check the SSID, authentication method, or encryption key of the access point or wireless router in advance.

### Wi-Fi Direct Settings

Item	Description
Wi-Fi Direct Type	Select 2.4 GHz or 5 GHz as the wireless LAN frequency.
SSID	Enter the SSID name. The SSID can contain up to 32 characters.
WPA Passphrase	Enter the passphrase for Wi-Fi Direct connection. You can enter 8 to 32 characters for a passphrase.

## Certificate Tab

You can use the following two types of certificates on this machine:

- Certificates created by the machine.
- Certificates issued by certification authorities.

You can install only one certificate on the machine.

If you execute [Create New Self-Signed Certificate], [Create Certificate Request], [Install Certificate], or [Import Certificate and Private Key], the existing certificate on the machine is deleted.

Follow the procedure below to set items:

1. Check the item you want to set.
2. Enter the password if required.
3. Click [Next].

### Certificate

Item	Description
Create New Self-Signed Certificate	Select this item to create a new self-signed certificate.
Create Certificate Request	Select this item to request the certification authority to issue a new certificate. You can submit a certificate created using this setting to the certificate authority. Note that you cannot submit a certificate to the certification authority directly via Web Image Monitor.
Install Certificate	Select this item to install the certificate issued by the certification authority.
Import Certificate and Private Key	Select this item to install the certificate created by the machine. You can use certificates that are in the following formats: <ul style="list-style-type: none"> <li>• PEM</li> <li>• PKCS12</li> </ul>
Export Certificate	Select this item to back-up the certificate installed on the machine. The certificate is exported in PKCS12 format.
View Certificate	Select this item to check details about the certificate that is installed on the machine.

## Configuring the IPsec Settings

Click [IPsec Settings] to display the page for configuring the IPsec settings.

This page contains the following tabs: [IPsec Global Settings] and [IPsec Policy List].

### ★ Important

- This function is available only when an administrator password is specified.

### IPsec Global Settings Tab

Item	Description
IPsec Function	Select whether to enable or disable IPsec.
Default Policy	Select whether to allow for the default IPsec policy.
Broadcast and Multicast Bypass	Select the services that you do not want to apply IPsec from the following: [DHCPv4], [DHCPv6], [SNMP], [mDNS], [NetBIOS], [UDP Port 53550]
All ICMP Bypass	Select whether to apply IPsec to ICMP packets (IPv4 and IPv6) from the following: [Active]: All ICMP packets will be bypassed without IPsec protection. "ping" command (echo request and echo reply) is not encapsulated by IPsec. [Inactive]: Some ICMP message types will be bypassed without IPsec protection.

### IPsec Policy List Tab

Item	Description
No.	IPsec policy number.
Name	Displays the name of the IPsec policy.
Address Settings	Displays the IP address filter of the IPsec policy as below: Remote address/Prefix length
Action	Displays the action of the IPsec policy as "Allow", "Drop", or "Require Security".

Item	Description
Status	Displays the status of the IPsec policy as "Active" or "Inactive".

To configure IPsec policies, select the desired IPsec policy, and then click [Change] to open the "IPsec Policy Settings" page. The following settings can be made on the "IPsec Policy Settings" page.

### IP Policy Settings

Item	Description
No.	Specify a number between 1 and 10 for the IPsec policy. The number you specify will determine the position of the policy in the IPsec Policy List. Policy searching is performed according to the order of the list. If the number you specify is already assigned to another policy, the policy you are configuring will take the number of the earlier policy, and the earlier policy and any subsequent policies will be renumbered accordingly.
Activity	Select whether to enable or disable the policy.
Name	Enter the name of the policy. Can contain up to 16 characters.
Address Type	Select IPv4 or IPv6 as the type of IP address to be used in IPsec communication.
Local Address	Displays the IP address of this printer.
Remote Address	Enter the IPv4 or IPv6 address of the device with which to communicate. Can contain up to 39 characters.
Prefix Length	Enter the prefix length of the Remote Address, using a value between 1 and 128. If this setting is left blank, "32" (IPv4) or "128" (IPv6) will be automatically selected.
Action	Specify how the IP packets are processed from the following: <ul style="list-style-type: none"> <li>• [Allow]: IP packets are both sent and received without IPsec applied to them.</li> <li>• [Drop]: IP packets are discarded.</li> <li>• [Require Security]: IPsec is applied to IP packets that are both sent and received.</li> </ul> <p>If you have selected [Require Security], you must configure [IPsec Settings] and [IKE Settings].</p>

**IPsec Settings**

Item	Description
Encapsulation Type	Specify the encapsulation type from the following: <ul style="list-style-type: none"> <li>• [Transport]: Select this mode to secure only the payload section of each IP packet when communicating with IPsec compliant devices.</li> <li>• [Tunnel]: Select this mode to secure every section of each IP packet. We recommend this type for communication between security gateways (such as VPN devices).</li> </ul>
Security Protocol	Select the security protocol from the following: <ul style="list-style-type: none"> <li>• [AH]: Establishes secure communication that supports authentication only.</li> <li>• [ESP]: Establishes secure communication that supports both authentication and data encryption.</li> <li>• [ESP&amp;AH]: Establishes secure communication that supports both data encryption and authentication of packets, including packet headers. Note that you cannot specify this protocol when [Tunnel] is selected for [Encapsulation Type].</li> </ul>
Authentication Algorithm for AH	Specify the authentication algorithm to be applied when [AH] or [ESP&AH] is selected for [Security Protocol] from the following: [MD5], [SHA1]
Encryption Algorithm for ESP	Specify the encryption algorithm to be applied when [ESP] or [ESP&AH] is selected for [Security Protocol] from the following: [None], [DES], [3DES], [AES-128], [AES-192], [AES-256]
Authentication Algorithm for ESP	Specify the authentication algorithm to be applied when [ESP] is selected for [Security Protocol] from the following: [MD5], [SHA1]
Life Time	Specify the life time of the IPsec SA (Security Association) as a time period or data volume. The SA will expire when the time period you specify elapses or the volume of data you specify reaches the volume carried.  If you specify both a time period and a data volume, the SA will expire as soon as either is reached, and a new SA will then be obtained by negotiation.  To specify the life time of the SA as a time period, enter a number of seconds.  To specify the life time of the SA as a data volume, enter a number of KBs.



Item	Description
Key Perfect Forward Secrecy	Select whether to enable or disable PFS (Perfect Forward Secrecy).

### IKE Settings

Item	Description
IKE Version	Displays the IKE version.
Encryption Algorithm	Specify the encryption algorithm from the following: [DES], [3DES], [AES-128], [AES-192], [AES-256]
Authentication Algorithm	Specify the authentication algorithm from the following: [MD5], [SHA1]
IKE Life Time	Specify the life time of the ISAKMP SA as a time period. Enter a number of seconds.
IKE Diffie-Hellman Group	Select the IKE Diffie-Hellman Group to be used in the generation of the IKE encryption key from the following: [DH1], [DH2]
Pre-Shared Key	Specify the PSK (Pre-Shared Key) to be used for authentication of a communicating device. Can contain up to 32 characters.
Key Perfect Forward Secrecy	Select whether to enable or disable PFS (Perfect Forward Secrecy).

## Printing Lists/Reports

Click [Print List/Report] to display the page for printing reports. Then, select an item and click [Print] to print out information for that item.

### Print List/Report

Item	Description
Configuration Page	Prints general information about the machine and its current configuration.
Test Page	Prints a test page for checking the printing condition.
PCL Font List	Prints the current configuration and installed PCL font list.
PS Font List	Prints the current configuration and installed PostScript font list.
Maintenance Page	Prints the maintenance page.

5

#### Note

- Reports cannot be printed via Web Image Monitor if other jobs are printing. Before printing reports, confirm that machine is not printing.
- Reports will be printed on A4 or Letter size paper. Load one of these sizes of paper into the tray before printing reports.

# Configuring the Administrator Settings

Click [Administrator Tools] to display the page for configuring the administrator settings.

This page contains the following tabs: [Administrator], [Reset Settings], [Backup Setting], [Restore Setting], and [Energy Saver Mode].

## Administrator Tab

### Administrator Settings

Item	Description
New Password	Enter the new administrator password. Can contain up to 16 characters.
Confirm New Password	Enter the same password again, to confirm.

5

## Reset Settings Tab

### Reset Settings

Item	Description
Reset Network Settings	Select to restore settings configured under the [Network Settings] and [Administrator Tools].
Reset Menu Settings	Select to restore settings that are not related to the network to their defaults.
Reset Settings of Available Functions	Select to clear the user restriction settings.
Reset IPsec Settings	Select to clear the IPsec settings.

#### ↓ Note

- [Reset IPsec Settings] appears only when the administrator password is specified.

## Backup Setting Tab

#### ★ Important

- When sending the machine for repair, it is important that you create backup files in advance. The machine's settings are returned to the default after repair.

**Backup Setting**

Item	Description
Back up Network Settings	Backs up settings configured under the [Network Settings] and [Administrator Tools].
Back up Menu Settings	Backs up settings that are not related to the network.
Back up Settings of Available Functions	Backs up user restriction settings to a file.
Back up IPsec Settings	Backs up the IPsec settings to a file.

Follow the procedure below to create configuration backup files.

1. Select the radio button for the type of data you wish to back up.
2. Enter the administrator password if required.
3. Click [OK].
4. Click [Save] in the confirmation dialog box.
5. Navigate to the location to save the backup file.
6. Specify a name for the file, and click [Save].

 **Note**

- [Back up IPsec Settings] appears only when the administrator password is specified.

**Restore Setting Tab**

 **Important**

- When the machine is returned from repair, it is important that you restore the machine's settings from the backup files. The machine's settings are returned to the default after repair.

**Restore Setting**

Item	Description
File to Restore	Enter the path and name of the file to restore, or click [Browse...] to select the file.

Follow the procedure below to restore configuration backup files.

1. Click [Browse...].
2. Navigate to the directory containing the backup file to restore.
3. Select the backup file, and click [Open].

4. Enter the administrator password if required.

5. Click [OK].

**Note**

- If the settings are not restored successfully, an error message appears. Try again to restore the file completely.

## Energy Saver Mode Tab

### Energy Saver Mode

Item	Description
Energy Saver Mode 1	Select [Active] to set the machine to enter Energy Saver mode 1 if the machine has been idle for about 30 seconds.  It takes less time to recover from Energy Saver mode 1 than from power-off state or Energy Saver mode 2, but power consumption is higher in Energy Saver mode 1 than in Energy Saver mode 2.
Energy Saver Mode 2	Set the machine to enter Energy Saver mode 2 after the period of time specified for [Waiting Time (1 min. - 60 min.)] is passed (1 to 60 minutes).  The machine consumes less power in Energy Saver mode 2 than in Energy Saver mode 1, but it takes longer to recover from Energy Saver mode 2 than from Energy Saver mode 1.

**Note**

- The printer recovers from Energy Saver mode when it receives a print job or when any key on the machine is pressed.
- Regardless of the settings for Energy Saver mode 1 or Energy Saver mode 2, the machine enters Energy Saver mode 1 after being idle for 10 minutes.



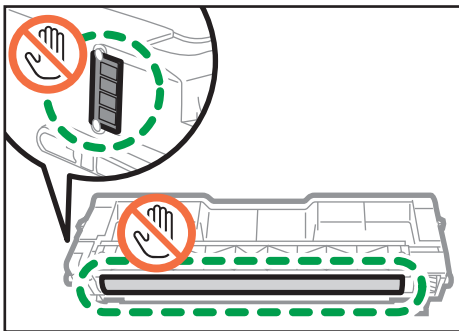
# 6. Maintaining the Machine

This chapter describes how to replace supplies and how to clean the machine.

## Replacing the Print Cartridge

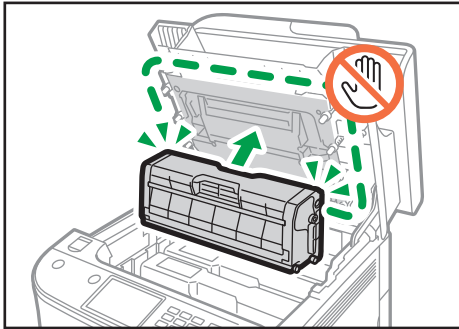
**★ Important**

- Store print cartridge in a cool dark place.
- Actual printable numbers vary depending on image volume and density, number of pages printed at a time, paper type and size, and environmental conditions such as temperature and humidity. Toner quality degrades over time. Early replacement of the print cartridge might be necessary. Therefore, we recommend you always keep a new print cartridge ready.
- For good print quality, the manufacturer recommends that you use genuine toner from the manufacturer.
- The manufacturer shall not be responsible for any damage or expense that might result from the use of parts other than genuine parts from the manufacturer with your office products.
- When the toner runs out, pressing the [Stop/Start] key allows you to print a few more pages, but the print quality of those pages may be lower.
- Do not allow paper clips, staples, or other small objects to fall inside the machine.
- Do not expose the print cartridge without its cover to direct sunlight for a long time.
- Do not touch the print cartridge's photo conductor unit and the ID chip on the side of the print cartridge as indicated in the illustration below.



ECC072

- When removing print cartridges, be careful not to touch the laser scanning unit under the upper cover (the position shown by the arrow in the illustration below).

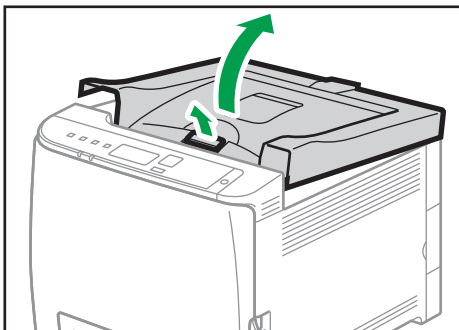


- If cyan, magenta, or yellow toner runs out, you can print in black and white using just the black toner. Change the color mode setting to Black and White using the machine's driver.
- If black toner runs out, you cannot print in black and white or color until the black print cartridge is replaced.

#### Messages on the screen

- Replace the indicated print cartridge when any of the following messages appear on the screen:  
"Replace Toner:" (X)  
("X" indicates the toner color)
- Prepare the indicated print cartridge when any of the following messages appear on the screen:  
"Replace Required Soon:" (X)  
("X" indicates the toner color)

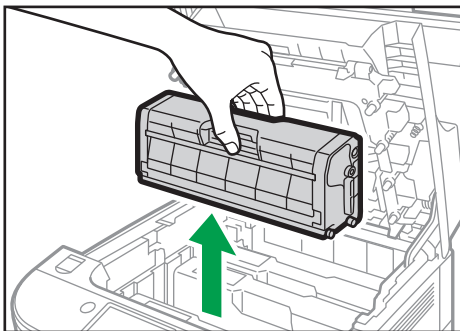
1. Pull up the lever on the top cover, and then carefully raise the top cover.



2. Carefully lift out the print cartridge vertically, holding its center.

From the rear, the print cartridges are installed in the order of cyan (C), magenta (M), yellow (Y), and black (K).

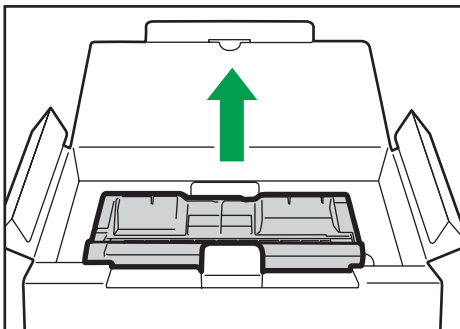




ECC167

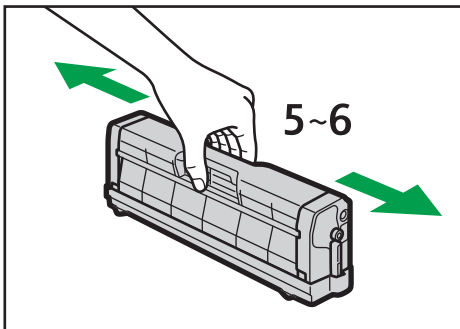
- Do not shake the removed print cartridge. Doing so can cause remaining toner to leak.
- Place the old print cartridge on paper or similar material to avoid dirtying your workspace.
- The toner color is indicated by the label on each print cartridge.

**3. Take the new print cartridge out of the box, and then take it out of the plastic bag.**



DUE260

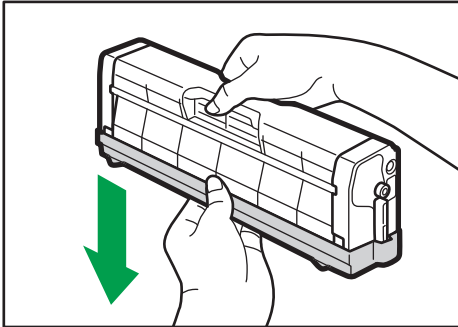
**4. Hold the print cartridge and shake it from side to side five or six times.**



ECC130

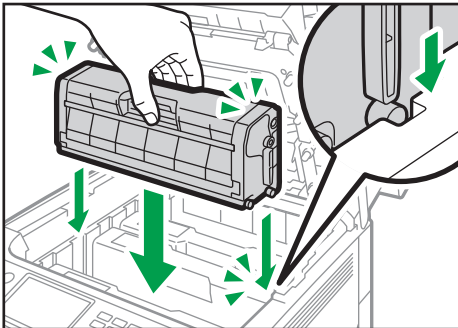
Even distribution of toner within the bottle improves print quality.

5. Remove the protective cover from the print cartridge.



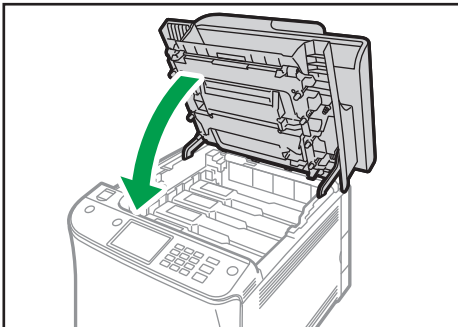
ECC131

6. Check the toner color and corresponding location, and then carefully insert the print cartridge vertically.



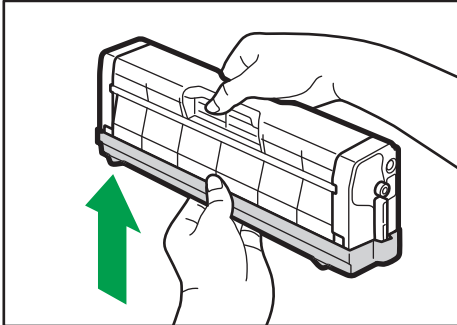
ECC132

7. Using both hands, hold the center of the top cover and close the cover carefully.





ECC133

8. Attach the protective cover you removed in Step 5 on the old print cartridge. Then, put the old print cartridge into the bag, and then put it into the box.



ECC134

**Note**

- Make sure to cover the old print cartridge with the protective cover for recycling and environmental purposes.
-  **Region A** (mainly Europe and Asia)  
If you want to discard your used toner container, please contact your local sales office. If you discard it by yourself, treat it as general plastic waste material.
-  **Region B** (mainly North America)  
Please see our local company website for information on the recycling of supply products, or you can recycle items according to the requirements of your local municipalities or private recyclers.

# Replacing the Waste Toner Bottle

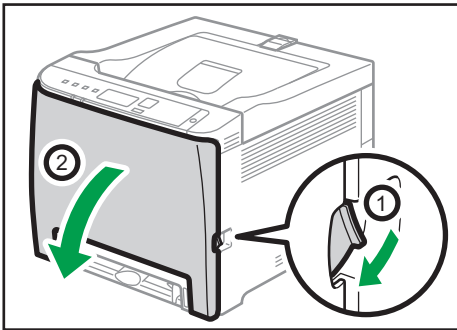
## Messages on the screen

- Replace the waste toner bottle when the following message appears on the screen:  
"Replacement Required: Waste Toner Bottle"
- Prepare a waste toner bottle when the following message appears on the screen:  
"Replace Required Soon: Waste Toner Bottle"

### ★ Important

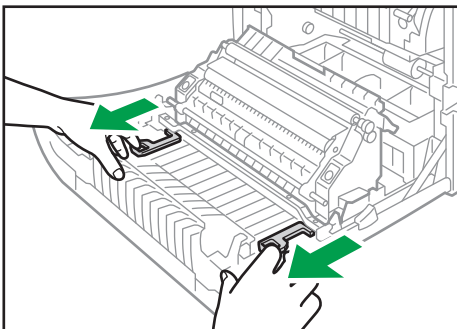
- Waste toner bottles cannot be reused.
- When removing the waste toner bottle, make sure not to tilt it.
- Make sure the transfer unit is installed. If the transfer unit is not installed, install it before turning on the power.
- Before removing the waste toner bottle from the machine, spread paper or similar material around the area to keep toner from dirtying your workspace.

1. Pull the front cover open lever and then carefully lower the front cover.



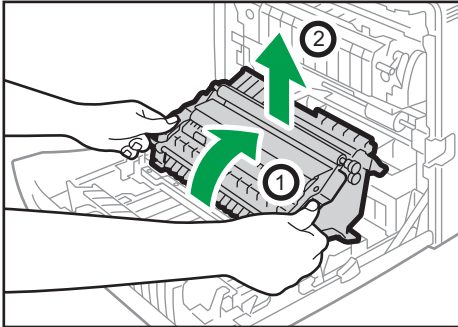
ECB108

2. Slide the lever in front of the transfer unit forward.



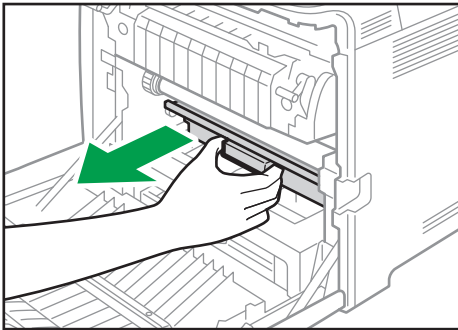
ECC135

3. Holding the tabs on both ends of the transfer unit, tilt it backwards and lift it up.



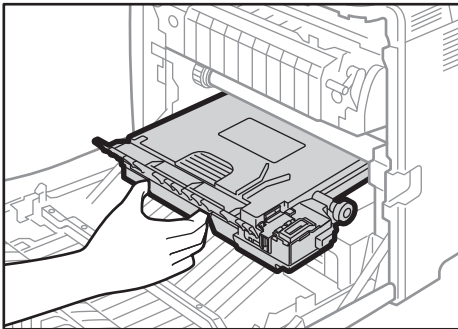
ECC136

4. Holding the handle at the center of the waste toner bottle, carefully pull it partially out without tilting it.

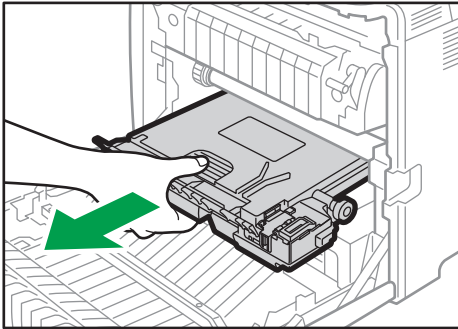


ECC137

5. Pull the waste toner bottle halfway out, hold the bottle firmly, and then pull it straight out.

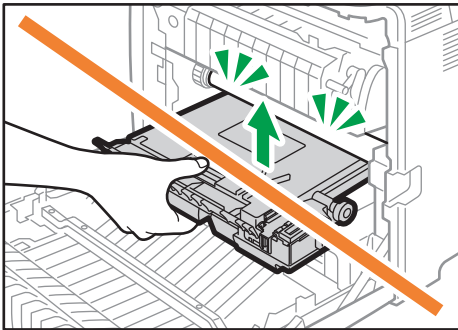


ECC138



ECC139

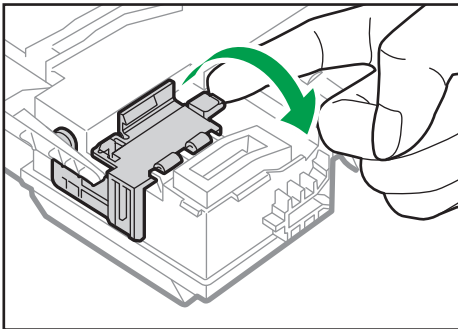
To prevent the waste toner bottle from coming into contact with the intermediate transfer unit (the position shown by the arrow in the illustration below), do not lift the bottle while pulling it out.



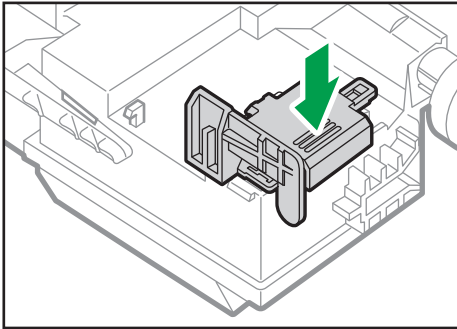
ECC140

6

**6. Close the bottle cap.**



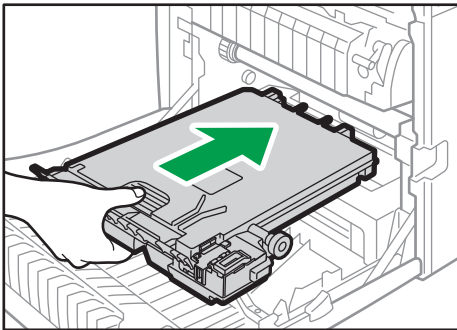
ECC141



ECC142

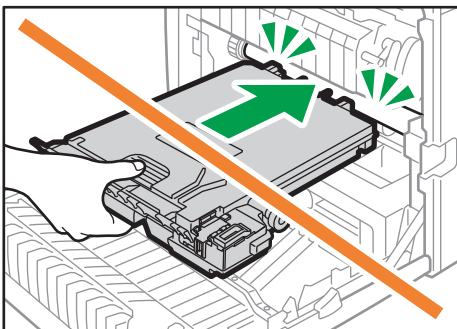
**7. Holding the center of the new waste toner bottle, carefully insert it halfway into the machine body.**

Leave the bottle cap open.



ECC143

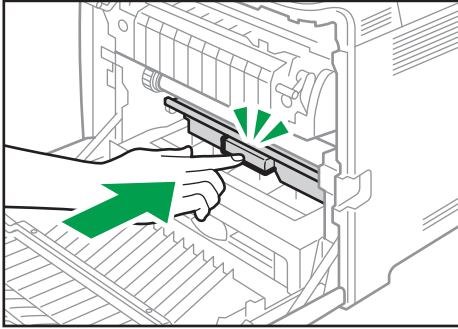
To prevent the waste toner bottle from coming into contact with the intermediate transfer unit (the position shown by the arrow in the illustration below), do not lift the bottle while inserting it.



ECC144

**8. Push in the waste toner bottle until it clicks.**

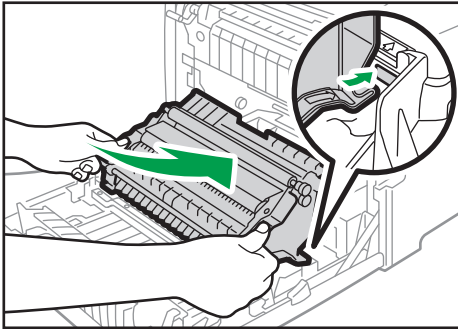
Pressing the handle at the center, push the bottle all the way in.



ECC145

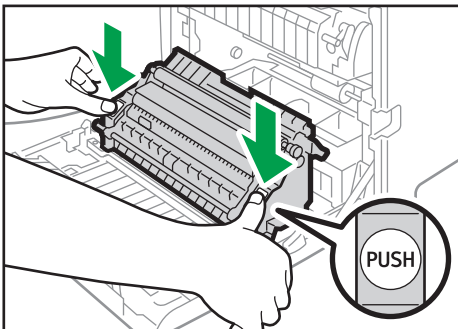
- 9. Place the transfer unit on the front cover. Slide the transfer unit along the guide rails into the machine.**

Do not manually operate the pressure lever, because pressuring and depressing are interlocked with the front cover's position.



ECC146

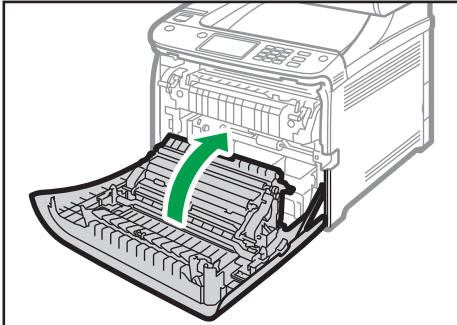
- 10. When it stops, push on the PUSH mark until it clicks.**



ECC147



11. Using both hands, carefully push up the front cover until it closes.



ECC117

When closing the front cover, push the upper area of the cover firmly.

**Note**

- For easy replacement, we recommend you purchase and store extra waste toner bottles.
- Comply with the waste toner bottle recycling program, whereby used waste toner bottles are collected for processing. For details, ask your sales or service representative.

## Replacing a Component

---

### Replacing the Intermediate Transfer Unit

---

If the Alert indicator on the control panel lights up and the "Replacement Required: Intermediate Transfer Unit" message appears on the display, contact your sales or service representative.

---

### Replacing the Fusing Unit and Transfer Roller

---

If the Alert indicator on the control panel lights up and the "Replace Fusing Unit" or "Replace Transfer Roller" message appears on the display, contact your sales or service representative.

## Cautions When Cleaning

Clean the machine periodically to maintain high print quality.

Dry wipe the exterior with a soft cloth. If dry wiping is not sufficient, wipe with a soft, damp cloth that has been wrung out thoroughly. If you still cannot remove the stain or grime, use a neutral detergent, wipe over the area with a thoroughly-wrung damp cloth, and then dry wipe the area and allow it to dry.

### ★ Important

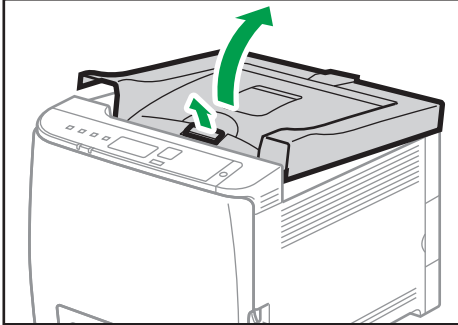
- To avoid deformation, discoloration, or cracking, do not use volatile chemicals, such as benzine and thinner, or spray insecticide on the machine.
- If there is dust or grime inside the machine, wipe with a clean, dry cloth.
- You must disconnect the plug from the wall outlet at least once a year. Clean away any dust and grime from the plug and outlet before reconnecting. Accumulated dust and grime pose a fire hazard.
- Do not allow paper clips, staples, or other small objects to fall inside the machine.

# Cleaning the Toner Density Sensor

Clean the toner density sensor when the following message appears on the control panel.

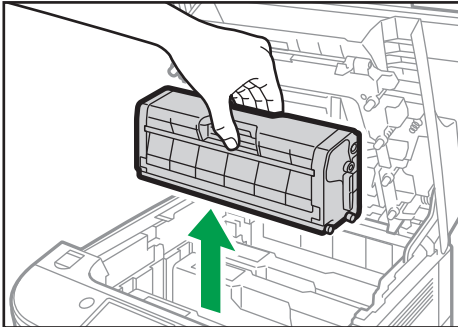
"Density Sensor Require Cleaning"

1. Pull up the lever on the top cover, and then carefully raise the top cover.



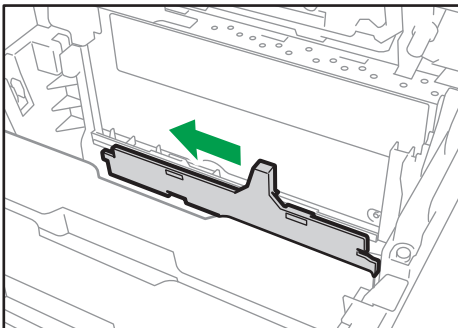
ECB107

2. Remove the rearmost print cartridge.



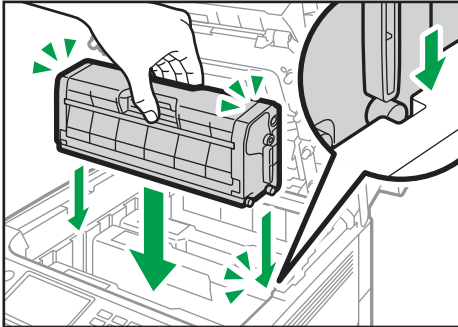
ECC167

3. Slide the toner density sensor lever once to the left.



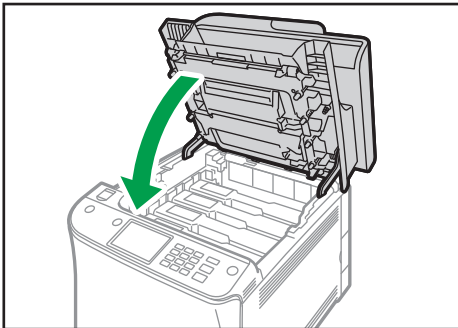
ECC148

4. Carefully insert the print cartridge removed in Step 2 vertically.



ECC132

5. Using both hands, hold the center of the top cover and close the cover carefully. Be careful not to trap your fingers.



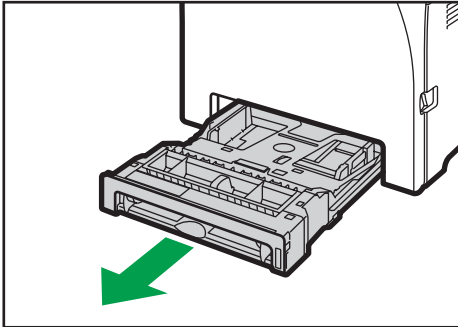
ECC133

# Cleaning the Friction Pad and Paper Feed Roller

If the friction pad or paper feed roller is dirty, a multi-feed or misfeed might occur. In this case, clean the friction pad and paper feed roller as follows:

**★ Important**

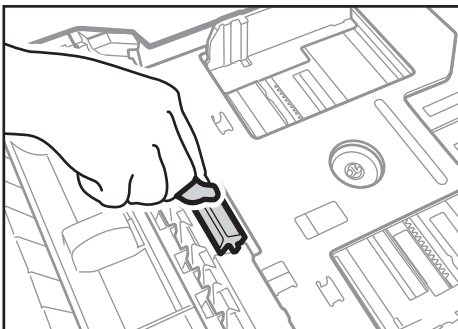
- Do not use chemical cleaning fluids or organic solvents such as thinner or benzene.
1. Turn off the power.
  2. Unplug the power cord from the wall outlet. Remove all the cables from the machine.
  3. Pull out Tray 1 carefully with both hands.



DUE214

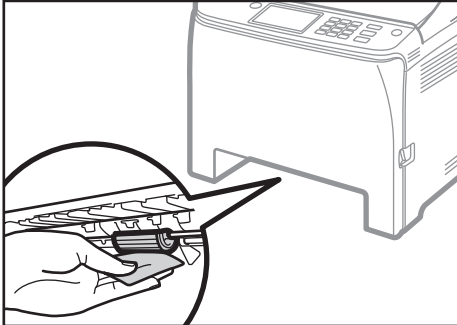
Place the tray on a flat surface. If there is paper in the tray, remove it.

4. Wipe the friction pads with a damp cloth.



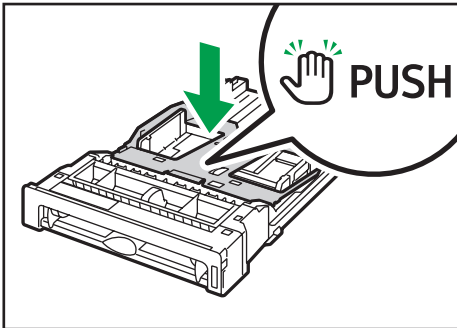
ECC149

5. Wipe the rubber part of the roller with a soft damp cloth. After that, wipe it with a dry cloth to remove the moisture.



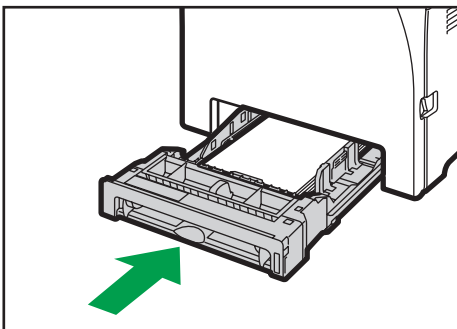
ECC150

6. Push the metal plate down until it clicks.



DUE215

7. Reload the removed paper into the tray, and then push the tray carefully into the machine until it clicks into place.



DUE220

8. Insert the plug of the power cord into the wall socket securely. Connect all the interface cables that were removed.
9. Turn on the power.

 **Note**

- If jams or multi-sheet feeds occur after cleaning the friction pad, contact your sales or service representative.
- If the optional Tray 2 is installed, clean its friction pad and paper feed roller in the same way as you did for Tray 1.



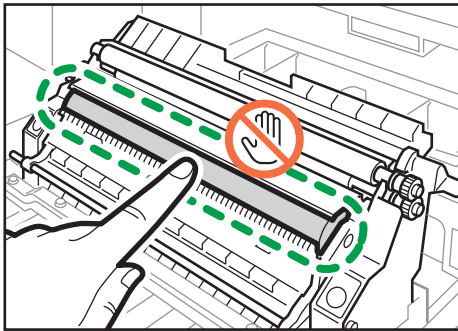
# Cleaning the Registration Roller and Paper Tray

The registration roller and paper tray can become dirty with paper dust if you print to non-standard paper.

Clean the registration roller if white dots appear on prints.

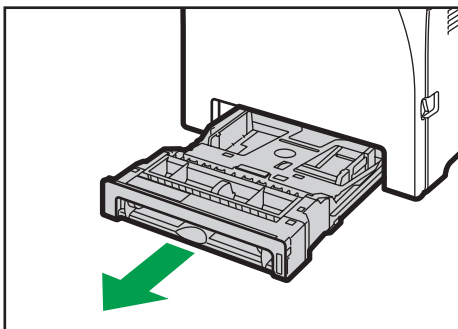
## ★ Important

- Do not use chemical cleaning fluids or organic solvents such as thinner or benzene.
- Do not touch the transfer roller (as shown below).



ECC151

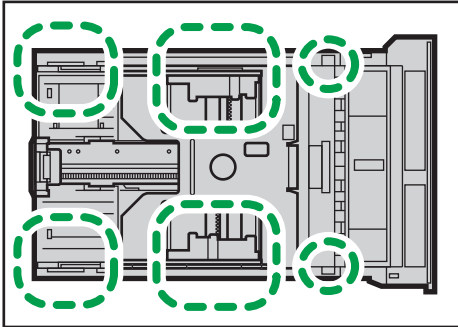
1. Turn off the power.
2. Unplug the power cord from the wall outlet. Remove all the cables from the machine.
3. Pull out Tray 1 carefully with both hands.



DUE214

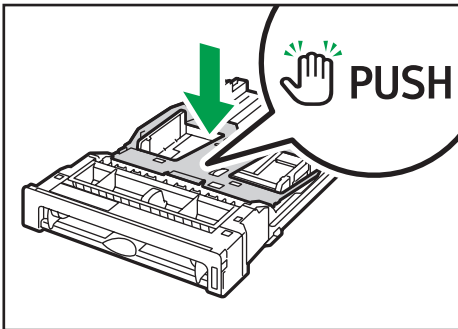
Place the tray on a flat surface. If there is paper in the tray, remove it.

4. Wipe the inside of the paper tray with a cloth.



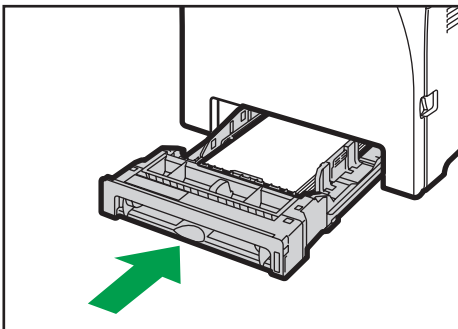
ECC152

5. Push the metal plate down until it clicks.



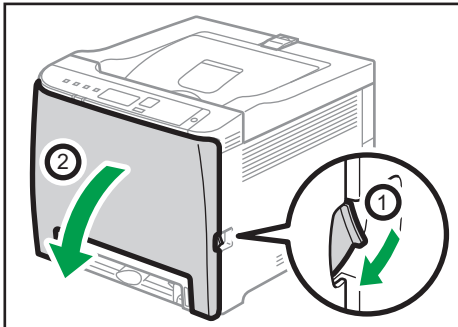
DUE215

6. Reload the removed paper into the tray, and then push the tray carefully into the machine until it clicks.



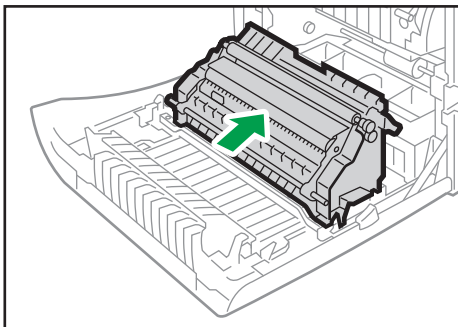
DUE220

7. Pull the front cover open lever and then carefully lower the front cover.



ECB108

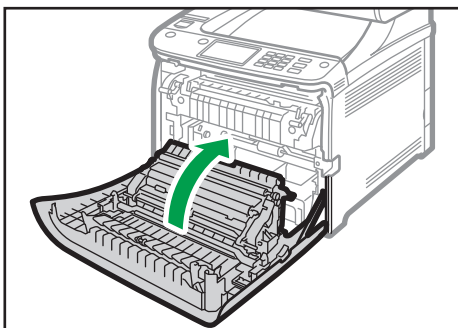
Be sure to set the registration roller in the position shown by the arrow in the illustration below.



ECC153

Clean the registration roller if prints are smeared after a paper jam is cleared.

8. Clean the registration roller by applying a soft damp cloth while turning it.
9. Using both hands, carefully push up the front cover until it closes.



ECC117

When closing the front cover, push the upper area of the cover firmly.

10. Plug in the power cord securely. Connect all the cables that were removed.
11. Turn on the power.

# Moving and Transporting the Machine

This section provides cautions that you must follow when moving the machine both short and long distances.

Repack the machine in its original packing materials when moving it over a long distance.

## ★ Important

- **Be sure to disconnect all cables from the machine before transporting it.**
- **The machine is a precision piece of machinery. Be sure to handle it carefully when moving it.**
- **Make sure to move the machine horizontally. Take extra caution when carrying the machine up or down stairs.**
- **If Tray 2 is installed, remove it from the machine, and move them separately.**
- **Do not remove the print cartridge when moving the machine.**
- **Be sure to hold the machine level while carrying it. To prevent toner from spilling, move the machine carefully.**
- **Keep the machine away from salt-bearing air and corrosive gases. Also, do not install the machine in places where chemical reactions are likely (laboratories, etc.), as doing so will cause the machine to malfunction.**

## Ventilation

When you use this machine in a confined space without good ventilation for a long time or print large quantities, you might detect an odd smell.

This might cause the output paper to also have an odd smell.

When you detect an odd smell, regularly ventilate in order to keep the workplace comfortable.

- Set up the machine so that it does not directly ventilate towards people.
- Ventilation should be more than 30 m<sup>3</sup>/hr/person.

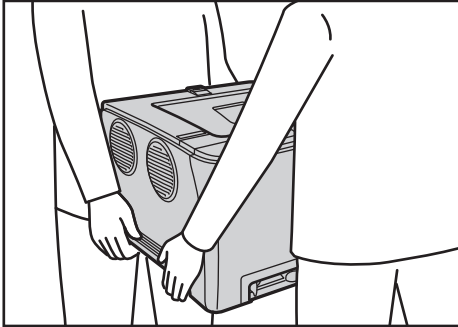
## New machine smell

When a machine is new, it might have a unique smell. This smell will subside in about one week.

When you detect an odd smell, sufficiently ventilate and circulate the air in the room.

1. **Be sure to check the following points:**
  - The power switch is turned off.
  - The power cord is unplugged from the wall outlet.
  - All other cables are unplugged from the machine.
2. **If Tray 2 is installed, remove it.**

3. Standing at the front and back of the machine, two persons should lift the machine using the inset grips on the sides. Move it horizontally to the place where you want to use it.



DUD470

4. If you have removed Tray 2, reinstall it.

**Note**

- To move the machine over a long distance, pack it well and empty all the paper trays. Take care not to tip or tilt the machine during transit.
- Toner might spill inside the machine if the machine is not kept level during transit.
- For more information about moving the machine, contact your sales or service representative.

6

---

## Disposal

---

Ask your sales or service representative for information about correct disposal of this machine.

---

## Where to Inquire

---

Contact your sales or service representative for further information about the topics included in this manual or to inquire about other topics not included in this manual.



# 7. Troubleshooting

This chapter provides solutions for error messages and other problems.

## Error and Status Messages on the Control Panel

This section explains what the messages that appear on the control panel mean and what to do when a particular message appears.

### Status messages

Message	Explanation	Recommended Action
Offline	The machine is Offline.	To start printing, switch the machine to online by pressing the [Stop/Start] key on the control panel.
Processing...	The machine is printing.	Wait a while.
Ready	This is the default ready message.	The machine is ready for use. No action is required.
Calibrating...	The machine is calibrating.	Wait a while.
Printing...	The machine is printing.	Wait a while.
Please wait	The machine is waiting for the next data to print.	Wait a while.
Warming up...	The printer is warming up or toner is being supplied.	Wait until "Ready" appears on the display.

### Messages

Message	Explanation	Recommended Action
Check Paper Size	The paper size setting in the tray # (1, 2, bypass) differs from that of actual paper size in the tray.	Load paper of the selected size in the tray, and then press the [Stop/Start] key to continue printing. Press the [Job Reset] key to cancel printing.

Message	Explanation	Recommended Action
Check Paper Type	The paper type setting in the tray # (1, 2, bypass) differs from that of actual paper type in the tray.	Load paper of the selected type in the tray, and then press the [Stop/Start] key to continue printing. Press the [Job Reset] key to cancel printing.
Cover Open	The top or front cover is open.	Open and then close the top or front cover.
Please download	Controller FW could not be downloaded.	Turn off the main power, turn it back on, and then download the controller FW again. If the download fails again, contact your sales or service representative.
Incorrect Toner: #	Irregular toner # (Black, Magenta, Cyan or Yellow) is set.	Replace the toner to an appropriate one. See page 125 "Replacing the Print Cartridge". If the error message appears even though the toner cartridge is attached correctly, use a dry cloth to wipe the part of the toner cartridge that is in contact with the machine.
Out of Paper: #	The indicated tray # (1, 2, bypass) is out of paper.	Load paper into the indicated paper tray. See page 26 "Loading Paper".
Memory Overflow	This error occurs when FW memory is not enough to save the printing page.	Reduce the size of the data, and then try the operation again.



Message	Explanation	Recommended Action
Misfeed: Dup. Unit	There is a paper jam in the duplex unit.	Remove the misfed paper. See page 154 "Removing Printing Jams".
Internal Misfeed	There is a paper jam in the fusing unit.	
Misfeed: Tray 1	There is a paper jam in Tray 1.	
Misfeed: Tray 2	There is a paper jam in Tray 2.	
Misfeed: Main Tray	There is a paper jam in the paper exit area.	
Remove Paper: Bypass Tray	The machine failed to proceed with the print job, because Tray 1 or Tray 2 was specified as the input tray but paper was loaded in the bypass tray.	Remove paper from the bypass tray.
Replace Toner: #	The printer is out of toner # (Black, Magenta, Cyan or Yellow).	Replace the print cartridge. See page 125 "Replacing the Print Cartridge".
Replace Required Soon: #	The printer is almost out of toner # (Black, Magenta, Cyan or Yellow).	Prepare a new print cartridge.
Replace Required Soon: Fusing Unit	It is time to replace the Fusing unit.	Contact your sales or service representative.
Replace Required Soon: Intermediate Transfer Unit	It is time to replace the transfer belt.	Contact your sales or service representative.
Replace Required Soon: Transfer Roller	It is time to replace the transfer roller.	Contact your sales or service representative.
Replace Required Soon: Print Cartridge	The waste toner bottle needs to be replaced soon.	Prepare a new waste toner bottle.
Replace Required Soon: Waste Toner Bottle	It is time to replace the waste toner bottle.	Replace the waste toner bottle with a new one. See page 130 "Replacing the Waste Toner Bottle".

Message	Explanation	Recommended Action
Toner Set Error: #	The indicated print cartridge is not installed correctly, or not installed.	Install the indicated print cartridge correctly.
	The error message appears even though the print cartridge is installed correctly.	Using a dry cloth, carefully wipe the interface area on the print cartridge surface.
Fusing Unit Set Error	The fusing unit is not installed or not installed correctly.	Install the fusing unit correctly.
Print Cartridge: Not Set	The waste toner bottle is not installed or not installed correctly.	Install the waste toner bottle correctly.  If the error message appears even though the waste toner bottle is attached correctly, contact your service representative.
ServiceCall - SCXXX	There is a problem with the printer's controller.	Turn off the main power, and then turn it on again.  If the error occurs again, contact your sales or service representative.
Density Sensor Require Cleaning	Color registration failed.	Clean the toner density sensor.  See page 138 "Cleaning the Toner Density Sensor".

# Panel Indicator

The following table explains the meaning of the various indicator patterns that the printer alerts to users about its conditions.

Indicator patterns	Cause
The Alert indicator is lit.	The printer cannot be used normally. Check the error on the control panel.
The Alert indicator is flashing in yellow.	Toner has nearly run out.
The Data In indicator is flashing.	The printer is receiving print data from a computer.
The Data In indicator is lit.	There is data to be printed.
The Power indicator is lit.	The power is on.

## Removing Paper Jams

If a paper jam occurs, one of the following messages appears on the control panel:

Message	Reference title
Internal Misfeed	See page 157 "If paper jams inside the fusing unit".
Misfeed: Main Tray	
Misfeed: Tray 1	See page 159 "If paper jams inside a tray".
Misfeed: Tray 2	
Misfeed: Dup. Unit	See page 161 "If paper jams inside the transfer unit".

See the section identified by the message and remove the jammed paper accordingly.

### Removing Printing Jams

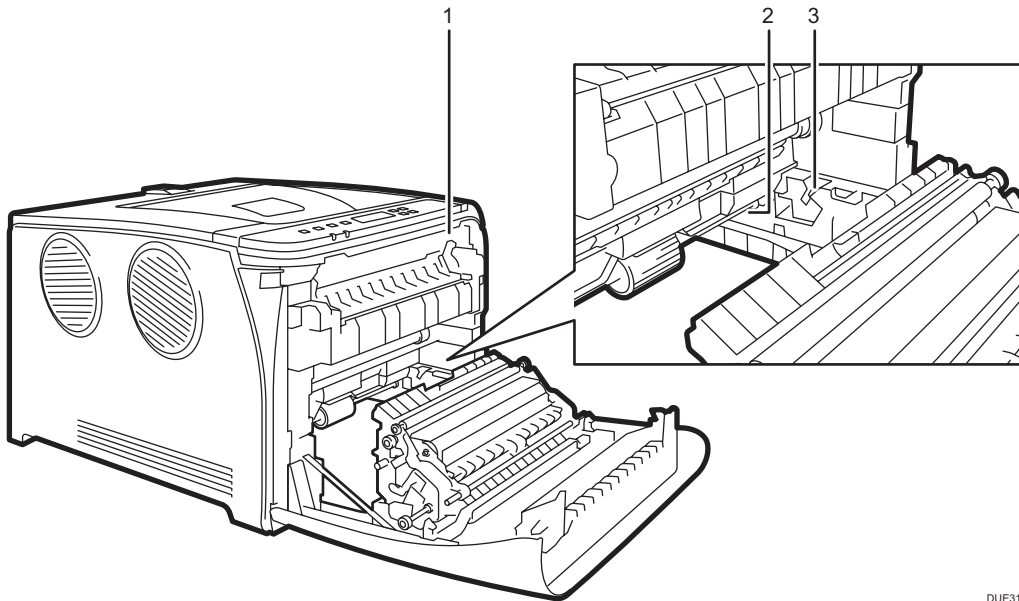
7

#### CAUTION

- The inside of this machine becomes very hot. Do not touch the parts labeled "△" (indicating a hot surface).
- Some of this machine's internal components get very hot. For this reason, take care when removing misfed paper. Not doing so could result in burns.
- Some of the internal components of this machine might be fragile. When you remove jammed paper, do not touch the sensors, connectors, LEDs, or other fragile parts that are shown in this manual. Doing so may cause malfunctions.

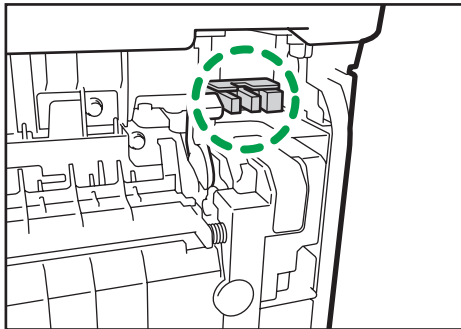
For the location of the sensors in the machine and extended options, see the following illustrations.

Main unit



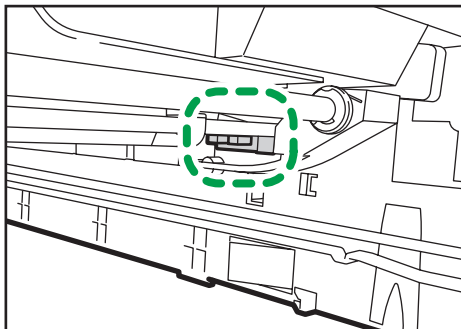
DUE319

1.



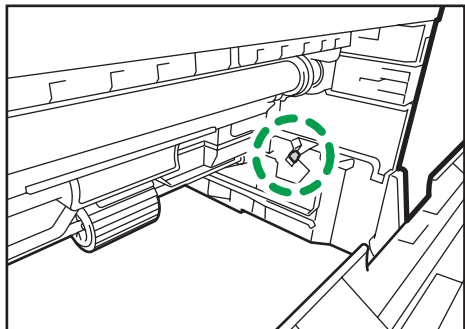
DUE288

2.



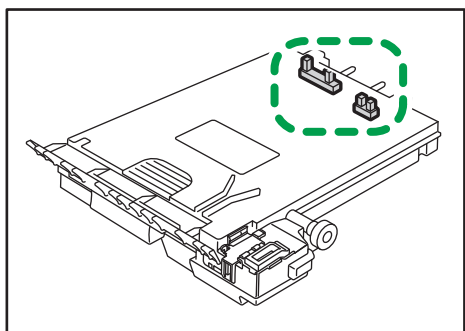
DUE289

3.



DUE290

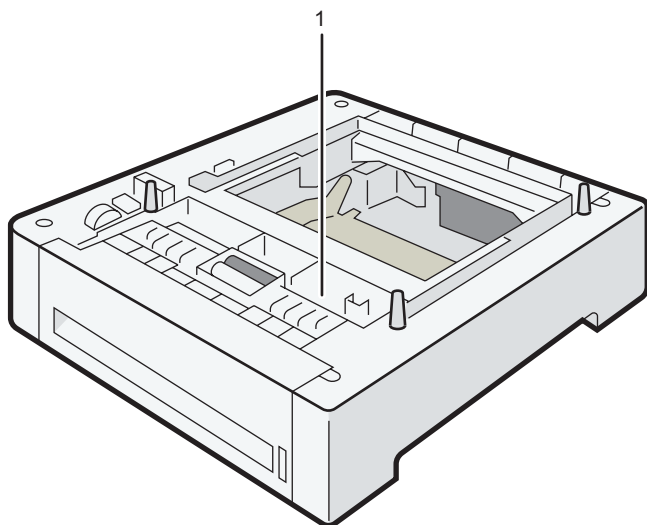
### Waste toner bottle



ECC168

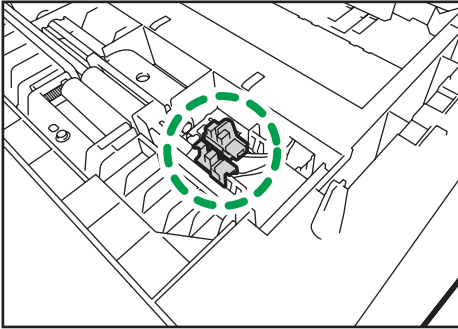
7

### Paper feed unit



DUE320

1.



DUE291

### ★ Important

- Jammed paper may be covered in toner. Be careful not to get toner on your hands or clothes.
- Toner on prints made immediately after clearing a paper jam may be insufficiently fused and may smudge. Make test prints until smudges no longer appear.
- Do not forcefully remove jammed paper, as it may tear. Torn pieces remaining inside the machine will cause further jams and possibly damage the machine.
- Paper jam can cause pages to be lost. Check your print job for missing pages and reprint any pages that did not print out.

7

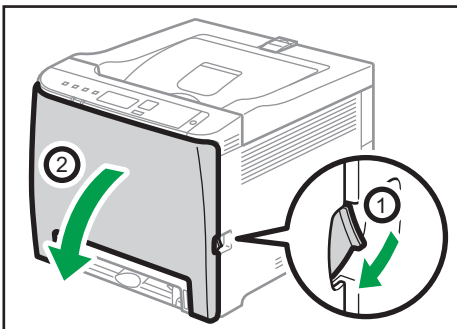
## If paper jams inside the fusing unit

If paper jams inside the fusing unit, follow the procedure below to remove it.

### ★ Important

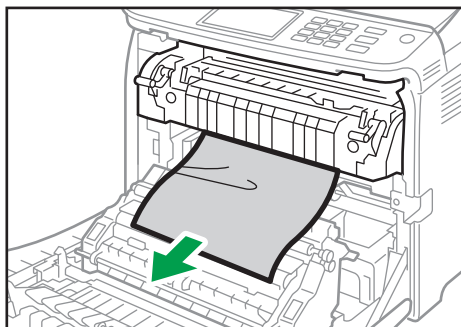
- Since the temperature around the guide is high, wait for it to cool down before checking for jammed paper.

1. Pull the front cover open lever and then carefully lower the front cover.



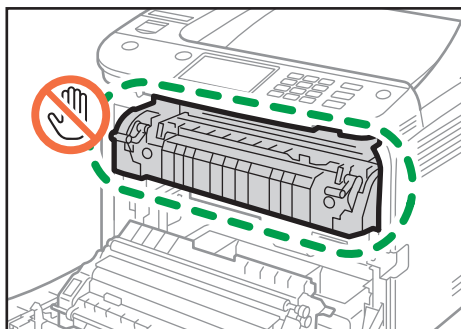
ECB108

2. Pull the paper downward to remove it. Do not pull it upward.



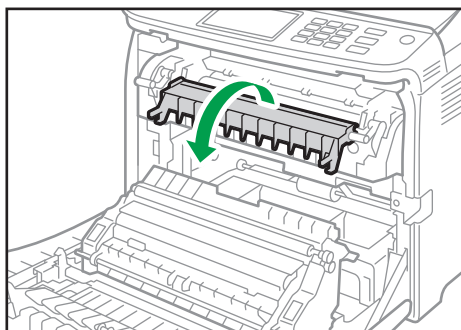
ECC158

Do not touch the fusing unit.



ECC157

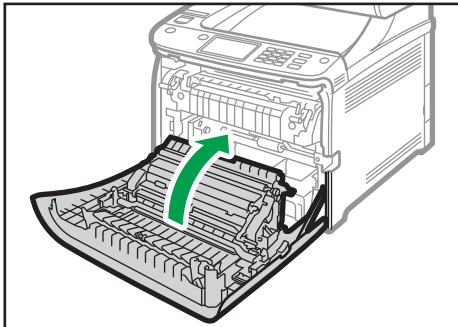
If you cannot find the jammed paper, check for it by pulling down the guide.



ECC159



- Using both hands, carefully push up the front cover until it closes.



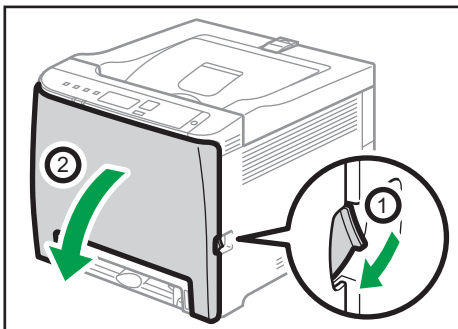
ECC117

When closing the front cover, push the upper area of the cover firmly. After closing the cover, check that the error is cleared.

### If paper jams inside a tray

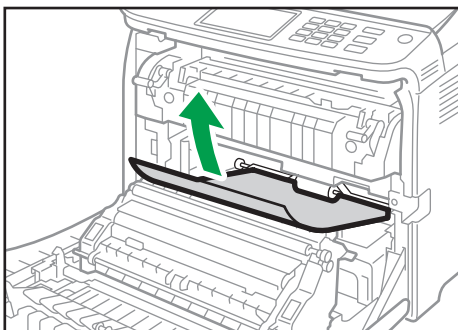
If paper jams in Tray 1 or 2, follow the procedure below to remove it.

- Pull the front cover open lever and then carefully lower the front cover.



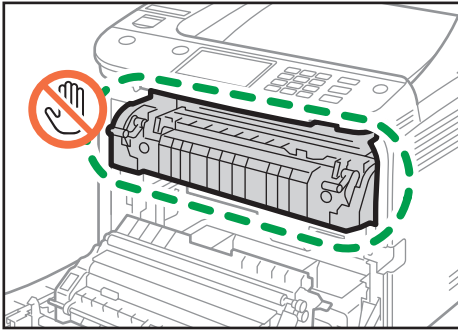
ECB108

- Pull out the jammed paper carefully.

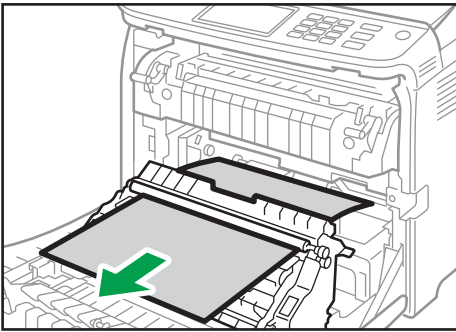


ECC160

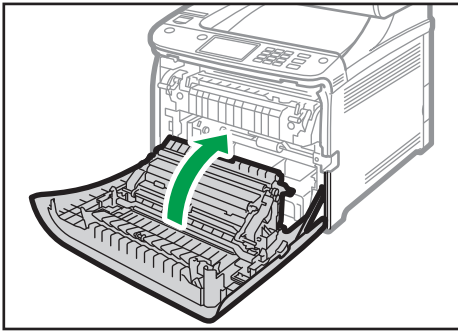
Do not touch the fusing unit.



If paper has jammed inside the transfer unit, holding both sides of the paper, pull the paper carefully forward and out.



3. Using both hands, carefully push up the front cover until it closes.



When closing the front cover, push the upper area of the cover firmly. After closing the cover, check that the error is cleared.

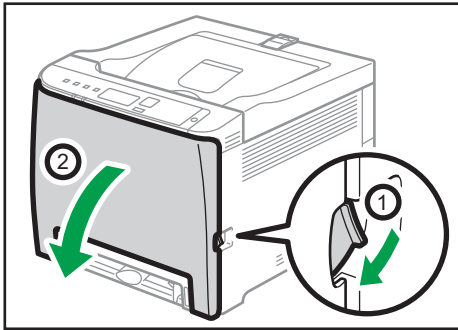
**Note**

- Do not pull out the paper tray (Tray 1).
- If paper jams in Tray 2 but is difficult to locate, pull out Tray 2 to remove it. After removing the paper, carefully push Tray 2 squarely back into the machine.

## If paper jams inside the transfer unit

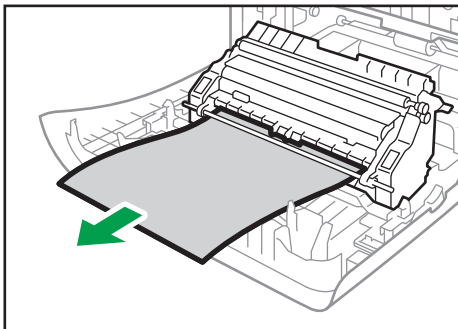
If paper jams inside the transfer unit, follow the procedure below to remove it.

1. Pull the front cover open lever and then carefully lower the front cover.



ECB108

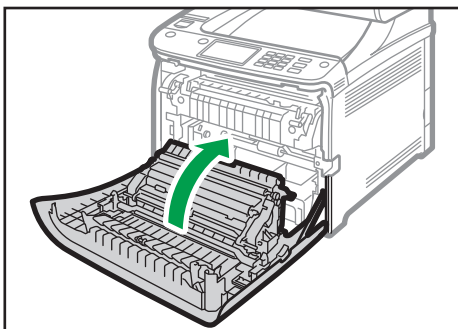
2. Carefully remove any paper that is jammed under the transfer unit.



ECC162

If you cannot find the jammed paper, look inside the machine.

3. Using both hands, carefully push up the front cover until it closes.



ECC117

When closing the front cover, push the upper area of the cover firmly. After closing the cover, check that the error is cleared.

## When You Cannot Print Test Page



Possible cause	Solution
The power cord, a USB cable, or a network cable is not connected correctly.	Make sure that the power cord, USB cable, and network cable are connected correctly. Also confirm that they are not damaged.
The port connection is not established correctly.	<ol style="list-style-type: none"><li>1. On the [Start] menu, click [Devices and Printers].</li><li>2. Right-click the icon of the machine, and then click [Printer properties].</li><li>3. Click the [Ports] tab, and then make sure that the port is set as a USB or network printer.</li></ol>

# Paper Feed Problems

If the machine is operating but paper will not feed or paper jams occur frequently, check the condition of the machine and paper.

Problem	Solution
Paper does not feed smoothly.	<ul style="list-style-type: none"> <li>• Use supported types of paper. See page 40 "Supported Paper".</li> <li>• Load paper correctly, making sure that the side or end fences of the paper tray, or the paper guides of the bypass tray are properly adjusted. See page 26 "Loading Paper".</li> <li>• If the paper is curled, straighten the paper.</li> <li>• Take out the paper from tray and fan it well. Then, reverse the top and bottom of the paper, and put it back in the tray.</li> </ul>
Paper jams occur frequently.	<ul style="list-style-type: none"> <li>• If there are gaps between the paper and the side or end fences of the paper tray, or the paper guides of the bypass tray, adjust the side or end fences of the paper tray, or the paper guides of the bypass tray to remove the gaps.</li> <li>• Avoid printing on both sides of paper when printing images that contain large solid areas, which consume a lot of toner.</li> <li>• Use supported types of paper. See page 40 "Supported Paper".</li> <li>• Load paper only as high as the upper limit markings on the side fence.</li> <li>• Make sure that the friction pads and paper feed rollers are clean. See page 140 "Cleaning the Friction Pad and Paper Feed Roller".</li> </ul>

Problem	Solution
<p>Multiple sheets of paper are fed at one time.</p>	<ul style="list-style-type: none"> <li>• Fan the paper well before loading. Also make sure that the edges are even by tapping the stack on a flat surface such as a desk.</li> <li>• Make sure that the side or end fences are in the right position.</li> <li>• Use supported types of paper. See page 40 "Supported Paper".</li> <li>• Load paper only as high as the upper limit markings on the side fence..</li> <li>• Make sure that the friction pads and paper feed rollers are clean.</li> <li>• Check that paper was not added while there was still some left in the tray. Only add paper when there is none left in the tray.</li> </ul>
<p>Paper gets wrinkles.</p>	<ul style="list-style-type: none"> <li>• Paper is damp. Use paper that has been stored properly. See page 40 "Supported Paper".</li> <li>• Paper is too thin. See page 40 "Supported Paper".</li> <li>• If there are gaps between the paper and the side or end fences of the paper tray, or the paper guides of the bypass tray, adjust the side or end fences of the paper tray, or the paper guides of the bypass tray to remove the gaps.</li> </ul>
<p>The printed paper is curled.</p>	<ul style="list-style-type: none"> <li>• Load the paper upside down in the paper tray.</li> <li>• If the paper curl is severe, take prints from the output tray more frequently.</li> <li>• Paper is damp. Use paper that has been stored properly. See page 40 "Supported Paper".</li> <li>• Select [Curl Prevented] in [Curl Prevention Mode] under [System Settings].</li> </ul>

Problem	Solution
<p>Images are not printed in the right position</p>  <p>DAC606</p>	<p>Adjust the front end fence and both side fences to match the paper size.</p> <p>See page 26 "Loading Paper".</p>
<p>Images are printed diagonally to the pages.</p>  <p>DAC572</p>	<p>If there are gaps between the paper and the side or end fences of the paper tray, or the paper guides of the bypass tray, adjust the side or end fences of the paper tray, or the paper guides of the bypass tray to remove the gaps.</p>

# Print Quality Problems

## Checking the Condition of the Machine

If there is a problem with the quality of printing, first check the condition of the machine.

Possible Cause	Solution
There is a problem with the machine's location.	Make sure that the machine is on a level surface. Place the machine where it will not be subject to vibration or shock.
Unsupported types of paper is used.	Make sure that the paper being used is supported by the machine. See page 40 "Supported Paper".
The paper type setting is incorrect.	Make sure that the paper type setting of the printer driver matches the type of paper loaded. See page 38 "Specifying Paper Type and Paper Size Using the Printer Driver".
A non-genuine print cartridge is being used.	Refilled or non-genuine print cartridge reduces print quality and can cause malfunctions. Use genuine print cartridge only.
An old print cartridge is being used.	Print cartridge should be opened before their expiration date and used within six months of being opened.
The machine is dirty.	See page 125 "Maintaining the Machine", and clean the machine as required.
Color degradation has occurred.	Color degradation may occur in color printing after the machine is moved or a large number of pages are printed. In this case, adjust color registration by executing [Color Den/Reg] in [System Settings].



## Checking the Printer Driver Settings

Problem	Solution
The printed image is smudged.	<p><b>PCL 5c/6</b></p> <p>On the printer driver's [Paper] tab, select [Bypass Tray] in the "Input Tray:" list. In the "Paper Type:" list, select a proper paper type.</p> <p><b>PostScript 3</b></p> <p>On the printer driver's [Paper/Quality] tab, select [Bypass Tray] in the "Paper Source" list. In the "Media" list, select a proper paper type.</p>
Images smudge when rubbed. (Toner is not fixed.)	<p><b>PCL 5c/6</b></p> <p>On the printer driver's [Paper] tab, select a proper paper type in the "Paper Type:" list.</p> <p><b>PostScript 3</b></p> <p>On the printer driver's [Paper/Quality] tab, select a proper paper type in the "Media" list.</p>
The printed image is different from the image on the computer's display.	<p><b>Only when using PCL 5c/6</b></p> <p>On the printer driver's [Print Quality] tab, select [Raster] in the "Graphics Mode" list.</p>
When printing graphics, the output and the screen are different.	<p>To print accurately, specify the printer driver setting to print without using the graphics command. For details about specifying the printer driver setting, see the printer driver Help.</p>
Images are cut off, or excess is printed.	<p>Use the same size paper selected in the application. If you cannot load paper of the correct size, use the reduction function to reduce the image, and then print. For details about the reduction function, see the printer driver Help.</p>
Photo images are coarse.	<p>Use the application's or printer driver's settings to specify a higher resolution.</p> <p>For details about the printer driver's settings, see the printer driver Help.</p>
A solid line is printed as a dashed line or appears blurred.	<p>Change the dithering settings on the printer driver. For details about the dithering settings, see the printer driver Help.</p>

Problem	Solution
Fine lines are fuzzy, of inconsistent thickness, or do not appear.	Change the dithering settings on the printer driver. For details about the dithering settings, see the printer driver Help.  If the problem persists, specify the settings of the application in which the image was created to change the thickness of the lines.

# Printer Problems

This section describes printing problems and possible solutions.

## When You Cannot Print Properly


Problem	Solution
An error occurs.	<p>If an error occurs when printing, change the computer or printer driver settings.</p> <ul style="list-style-type: none"> <li>• Check the printer icon name does not exceed 32 alphanumeric characters. If it does, shorten it.</li> <li>• Check whether other applications are operating. Close any other applications, as they may be interfering with printing. If the problem is not resolved, close unneeded processes too.</li> <li>• Check that the latest printer driver is being used.</li> </ul>
A Locked Print file is canceled.	<ul style="list-style-type: none"> <li>• The machine already has 5 jobs or 5 MB of Locked Print data. Print or delete an existing Locked Print file. For details, see page 63 "Printing Confidential Documents".</li> <li>• Even if the machine cannot store any more Locked Print files, the machine holds the new Locked Print file for the period of time specified in [Locked Print] in [I/O Timeout] under [System Settings] before canceling that file. Within this time, you can print or delete the new Locked Print file. You can also print or delete an existing Locked Print file so that the new Locked Print file can be stored in the machine.</li> <li>• For details about [Locked Print] in [I/O Timeout], see page 77 "System Settings".</li> </ul>
A Locked Print file is canceled.	<p><b>Only when using PCL 5c/6</b></p> <p>The Locked Print file has too many pages or it is too large. Reduce the number of pages to print, or print with a lower setting for [Gradation:] in [Print Quality]. For details, see the printer driver Help.</p>

Problem	Solution
<p>There is a considerable delay between the print start command and actual printing.</p>	<ul style="list-style-type: none"> <li>• Processing time depends on data volume. High volume data, such as graphics-heavy documents, take longer to be processed.</li> <li>• To speed up printing, reduce the printing resolution using the printer driver. For details, see the printer driver Help.</li> <li>• The machine is calibrating color. Wait for a while.</li> </ul>
<p>Documents are not printed properly when using a certain application, or image data is not printed properly. Some characters are printed faintly or not printed.</p>	<p>Change the print quality settings.</p>
<p>It takes too long to complete the print job.</p>	<ul style="list-style-type: none"> <li>• Photographs and other data intensive pages take a long time to be processed so simply wait when printing such data.</li> <li>• Changing the settings with printer driver may help to speed up printing. See the printer driver Help.</li> <li>• The data is so large or complex that it takes a long time to be processed.</li> <li>• If the Data In indicator is flashing, the data is being processed.</li> <li>• Just wait until it printing is resumed.</li> <li>• If the Data In indicator on the control panel is flashing, the printer is warming up. Wait for a while.</li> <li>• The printer is adjusting the color registration. Wait for a while.</li> </ul>
<p>A printed image is different from the image on the computer's display.</p>	<ul style="list-style-type: none"> <li>• When you use some functions, such as enlargement and reduction, the layout of the image might be different from that displayed in the computer display.</li> <li>• Check that the page layout settings are properly configured in the application.</li> <li>• Make sure the paper size selected in the printer properties dialog box matches the size of the paper loaded. For details, see the printer driver Help.</li> </ul>

Problem	Solution
<p>Images are cut off, or excess pages are printed.</p>	<p>If you are using paper whose size is smaller than the paper size selected in the application, use the same size paper selected in the application. If you cannot load paper of the correct size, use the reduction function to reduce the image, and then print.</p> <p>See the printer driver Help.</p>
<p>The color of the printout is different from the color on the computer's display.</p>	<ul style="list-style-type: none"> <li>The colors made using color toner may be different from colors displayed on the display due to the difference of methods to reproduce colors.</li> </ul> <p><b>Only when using PCL 5c/6</b></p> <p>Color gradation might appear differently if On is selected for [Economy Color] on the [Print Quality] tab in the printer driver's dialog box.</p> <p>See the printer driver Help.</p> <ul style="list-style-type: none"> <li>Turn off the main power, and then turn it back on. If the color still appears different on the printout, perform the [Color Den/Reg] under [System Settings]. For details, see page 77 "System Settings".</li> </ul> <p>If this procedure fails to resolve the problem, contact your sales or service representative.</p>
<p>Color changes extremely when adjusted with the printer driver.</p>	<p><b>Only when using PCL 5c/6</b></p> <p>Do not make extreme settings for the color balance under the [Print Quality] tab in the printer driver's dialog box.</p> <p>See the printer driver Help.</p>
<p>Color documents are printed in black and white.</p>	<ul style="list-style-type: none"> <li>The printer driver is not set up for color printing.</li> </ul> <p>See the printer driver Help.</p> <ul style="list-style-type: none"> <li>Some applications print color files in black and white.</li> </ul>

## When You Cannot Print Clearly

Problem	Solution
<p>The whole printout is blurred.</p>	<ul style="list-style-type: none"> <li>• The paper being used may be damp. Use paper that has been stored properly. See page 40 "Supported Paper".</li> <li>• Select [Curl Prevented] in [Curl Prevention Mode] under [System Settings].</li> <li>• If you select [On] for [Economy Color] in the [Print Quality] tab (PCL printer driver) or under [Printer Features] (PostScript 3 printer driver), print will be at lower density. For details, see the printer driver Help.</li> <li>• The print cartridge is almost empty. If "Replace Toner: X" ("X" indicates the toner color) appears on the screen, replace the indicated print cartridge.</li> <li>• Condensation may have occurred. If rapid change in temperature or humidity occurs, use this machine only after it has acclimatized.</li> </ul>
<p>Toner smears appear on the print side of the page.</p>	<ul style="list-style-type: none"> <li>• The paper setting may not be correct. For example, although you are using thick paper, the setting for thick paper may not be specified. Check the printer driver's paper settings. See the printer driver Help.</li> <li>• Check that the paper is not curled or bent. Envelopes can be curled easily. Flatten out the paper before loading it. See page 26 "Loading Paper".</li> <li>• Set [Fixing quality improved] in [Fixing quality mode] under [System Settings].</li> </ul>

Problem	Solution
<p>White lines appear.</p> 	<p>The intermediate transfer belt is dirty.</p> <p>Follow the procedure below to clean the belt:</p> <ol style="list-style-type: none"> <li>1. Open the top cover while the power is on.</li> <li>2. Remove all print cartridges from the printer.</li> <li>3. The machine automatically starts cleaning. Once cleaning is complete, the error message "Toner Set Error: (X)" appears ("X" indicates the toner color).</li> <li>4. When cleaning finishes, open the top cover and attach all the print cartridges again.</li> </ol> <p>If this procedure does not resolve the problem, contact your sales or service representative.</p>
<p>Horizontal lines appear on the printed paper.</p>	<ul style="list-style-type: none"> <li>• Impact can cause lines to appear on printed paper and other malfunctions.</li> </ul> <p>Protect the printer from impact at all times, especially while it is printing.</p> <ul style="list-style-type: none"> <li>• If lines appear on prints, turn the printer off, wait a few moments, and then turn it back on again. Then, perform the print job again.</li> </ul>
<p>The print color is different from the color specified.</p>	<p>If a specific color is missing, turn the power switch off and on.</p> <p>If this does not resolve the problem, contact your sales or service representative.</p>
<p>Photo images are coarse.</p>	<p>Some applications lower the resolution for making prints.</p>
<p>A color is missing or a printed image is partially blurred.</p>	<ul style="list-style-type: none"> <li>• The paper being used may be damp. Use paper that has been stored properly.</li> </ul> <p>See page 26 "Loading Paper".</p> <ul style="list-style-type: none"> <li>• Toner is almost empty. If the following message appears on the control panel, replace the print cartridge: "Replace Toner: X". ("X" indicates the toner color)</li> </ul> <p>See page 125 "Replacing the Print Cartridge".</p> <ul style="list-style-type: none"> <li>• Condensation may have occurred. If rapid change in temperature or humidity occurs, use this printer only after it has acclimatized.</li> </ul>

Problem	Solution
Color shift occurs.	Perform the [Color Den/Reg] under [System Settings]. For details, see page 77 "System Settings".
White spots appear.	The surrounding registration roller or paper tray can become dirty with paper dust if you use paper other than standard paper. Wipe any paper dust off both the paper tray and registration roller. See page 143 "Cleaning the Registration Roller and Paper Tray".
Colorless dots appear on solid color printouts.	Change the paper type currently selected in the Paper Type settings, and then print. Eg. [Recycled Paper] to [Thin Paper] to [Plain Paper]. See page 26 "Loading Paper".
White streaks or color streaks appear.	Toner is almost empty. If an error message appears on the control panel, replace the print cartridge of the color indicated. See page 125 "Replacing the Print Cartridge".
The backs of printed sheets are blemished.	<ul style="list-style-type: none"> <li>• When removing a jammed sheet, the inside of the printer may have become dirty. Print several sheets until they come out clean.</li> <li>• If document size is larger than paper size, e.g. A4 document on B5 paper, the back of the next printed sheet may become dirty.</li> </ul>
The Data In indicator is not flashing or lit.	If the Data In indicator is not flashing or lit, the data is not being sent to the printer. If the printer is connected to the computer using the interface cable. Check the port connection setting is correct. Network Connection Contact your network administrator.



Problem	Solution
Black gradation is not natural.	<p><b>Only when using PostScript 3</b></p> <p>Select [CMY + K] for [Gray Reproduction] in the printer driver's dialog box.</p> <p>See the printer driver Help.</p>
Solid lines are printed as broken lines.	<p><b>Only when using PostScript 3</b></p> <p>Change the [Dithering] setting in the printer driver's dialog box.</p> <p>See the printer driver Help.</p>
Fine dot patterns do not print.	<p><b>Only when using PostScript 3</b></p> <p>Change the [Dithering] setting in the printer driver's dialog box.</p> <p>See the printer driver Help.</p>
Solid areas, lines or text are shiny or glossy when created as a mixture of cyan, magenta, yellow.	<p><b>Only when using PostScript 3</b></p> <p>Select [Black by K] for [Gray Reproduction] in the printer driver's dialog box.</p> <p>See the printer driver Help.</p>
Speckling occurs in areas of solid black print.	<p><b>Only when using PostScript 3</b></p> <p>Select [CMY + K] for [Gray Reproduction] in the printer driver's dialog box.</p> <p>See the printer driver Help.</p>
If rubbed with your finger, the print smears.	<p>The setting of the paper may not be correct. For example, although thick paper is used, the setting for thick paper may not be specified.</p> <ul style="list-style-type: none"> <li>• Check the paper settings of this printer. See page 26 "Loading Paper".</li> <li>• Check the paper settings of the printer driver.</li> </ul> <p>See the printer driver Help.</p>

## When Paper Is Not Fed or Ejected Properly

Problem	Solution
Prints fall behind the machine when they are delivered.	Pull up the appropriate stop fence (forward fence for A4/Letter, rear fence for Legal size prints). See page 13 "Guide to Components".
Prints do not stack properly.	<ul style="list-style-type: none"> <li>• The paper being used may be damp. Use paper that has been stored properly. See page 40 "Supported Paper".</li> <li>• Pull up the appropriate stop fence (forward fence for A4/Letter, rear fence for Legal size prints). See page 13 "Guide to Components".</li> <li>• Select [Curl Prevented] in [Curl Prevention Mode] under [System Settings].</li> </ul>
The printed paper is curled.	<ul style="list-style-type: none"> <li>• Load the paper upside down in the paper tray.</li> <li>• If the paper curl is severe, retrieve prints from the output tray more frequently.</li> <li>• The paper being used may be damp. Use paper that has been stored properly.</li> <li>• Select [Curl Prevented] in [Curl Prevention Mode] under [System Settings].</li> </ul>

## Other Printing Problems

Problem	Solution
The toner has run out and printing has stopped.	When the toner runs out, pressing the [Stop/Start] key allows you to print a few more pages, but the print quality of those pages may be lower.

## Common Problems

This section describes how to troubleshoot common problems that may occur while operating the machine.

Problem	Possible cause	Solution
The machine does not turn on.	The power cord is not connected properly.	<ul style="list-style-type: none"> <li>• Make sure that the power plug is firmly inserted into the wall outlet.</li> <li>• Make sure that the wall outlet is not defective by connecting another working device.</li> </ul>
An error message is shown on the machine's screen.	An error has occurred.	See page 149 "Error and Status Messages on the Control Panel".
The Alert indicator is lit or flashing.	An error has occurred.	See page 153 "Panel Indicator".
Pages do not print.	The machine is receiving data.	If the Data In indicator is flashing, the machine is receiving data. Wait for a while.
Pages are not printed.	The interface cable is not connected correctly.	<ul style="list-style-type: none"> <li>• Reconnect the cable.</li> <li>• Check that the interface cable is the correct type.</li> </ul>
Strange noise is heard.	<ul style="list-style-type: none"> <li>• The supplies are not properly installed.</li> <li>• If [Auto Cleaning] in [System Settings] is set to [On], the machine automatically cleans its interior periodically.</li> </ul>	<ul style="list-style-type: none"> <li>• Confirm that the supplies are properly installed.</li> <li>• Wait until the cleaning has finished. This is not a malfunction.</li> </ul>
The network setting may not have been configured properly or the 3G dongle may not be connected properly.	Using Web Image Monitor, check the setting and check whether printing can be performed.	If the problem persists, contact your service representative.

Problem	Possible cause	Solution
<p>You cannot print after rebooting the computer.</p>	<p>The printer may be offline.</p>	<p>The procedure in this section is an example based on Windows 10. The actual procedure may vary depending on the operating system you are using.</p> <ol style="list-style-type: none"> <li>1. On the [Start] menu, select [Control Panel] under [Windows System].</li> <li>2. Click [View devices and printers].</li> <li>3. Click the machine's icon, and then click [See what's printing].</li> <li>4. Click [Printer] on the menu bar, and then uncheck [Use Printer Offline].</li> </ol>

7

**Note**

- If any of these problems persist, turn off the power, pull out the power cord, and contact your sales or service representative.

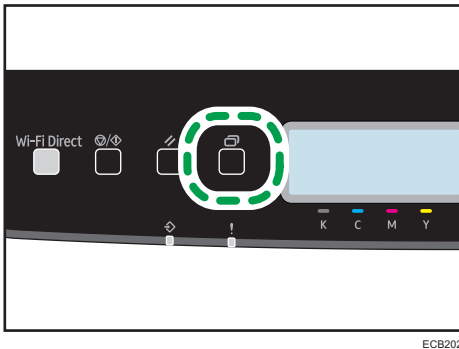
# 8. Configuring Network Settings

This chapter describes how to connect the machine to the network and specify the network settings. Configurations differ according to the communication environment of your system.

## Connecting the Machine to a Wired Network

### Configuring the IPv4 Setting

1. Press the [Menu] key.



2. Press the [▼] or [▲] key to select [Network Settings], and then press the [OK] key.
3. Enter the administrator password if required.
4. Press the [▼] or [▲] key to select [IPv4 Configuration], and then press the [OK] key.
5. Press the [▼] or [▲] key to select [DHCP], and then press the [OK] key.
6. Press the [▼] or [▲] key to select [Active] to automatically obtain the IP address or [Inactive] to specify the IP address manually.  
If you have selected [Active], proceed to Step 13.
7. Press the [▼] or [▲] key to select [IP Address], and then press the [OK] key.
8. Enter the machine's IPv4 address, and then press the [OK] key.
9. Press the [▼] or [▲] key to select [Subnet Mask], and then press the [OK] key.
10. Enter the subnet mask, and then press the [OK] key.
11. Press the [▼] or [▲] key to select [Gateway Address], and then press the [OK] key.
12. Enter the gateway address, and then press the [OK] key.
13. Turn off the machine, and then turn it back on.

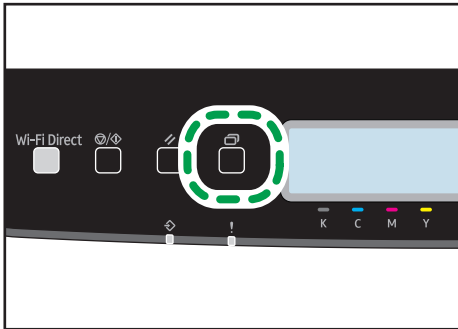
Setup is completed.

---

## Configuring the IPv6 setting

---

1. Press the [Menu] key.



2. Press the [▼] or [▲] key to select [Network Settings], and then press the [OK] key.
3. Enter the administrator password if required.
4. Press the [▼] or [▲] key to select [IPv6 Configuration], and then press the [OK] key.
5. Press the [▼] or [▲] key to select [DHCP], and then press the [OK] key.
6. Press the [▼] or [▲] key to select [Active] to automatically obtain the IP address or [Inactive] to specify the IP address manually.

If you have selected [Active], proceed to Step 14.

7. Press the [▼] or [▲] key to select [Manual Config. Address], and then press the [OK] key.
8. Press the [▼] or [▲] key to select [Manual Config. Address], and then press the [OK] key.
9. Enter the machine's IPv6 address, and then press the [OK] key.
10. Press the [▼] or [▲] key to select [Prefix Length], and then press the [OK] key.
11. Enter the prefix length, and then press the [OK] key.
12. Press the [▼] or [▲] key to select [Gateway Address], and then press the [OK] key.
13. Enter the gateway address, and then press the [OK] key.
14. Turn off the machine, and then turn it back on.

Setup is completed.

# Connecting the Machine to a Wireless Network

There are four methods for connecting the machine to a wireless network:

- Using the Wi-Fi Setup Wizard  
See page 181 "Using the Wi-Fi Setup Wizard".
- Using the WPS button  
See page 183 "Using the WPS Button".
- Using a PIN code  
See page 184 "Using a PIN Code".
- Using the Wi-Fi Direct  
See Wi-Fi Direct Guide.

## Using the Wi-Fi Setup Wizard

A router (access point) is needed to set up a connection.

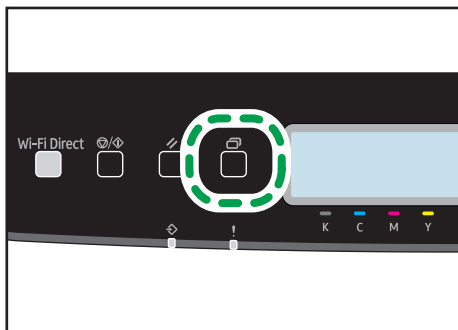
### Checking the SSID and encryption key

The SSID and Encryption key for the router (access point) may be printed on a label affixed to the router (access point). For details about the SSID and Encryption key, refer to the router (access point) manual.

### Configuring settings using the control panel

Make sure the Ethernet cable is not connected to the machine.

1. Check that the router (access point) is working correctly.
2. Press the [Menu] key.



3. Press the [▼] or [▲] key to select [Network Settings], and then press the [OK] key.
4. Enter the administrator password if required.
5. Press the [▼] or [▲] key to select [Wireless (Wi-Fi)], and then press the [OK] key.

6. Press the [▼] or [▲] key to select [Enable Wireless (Wi-Fi)], and then press the [OK] key.
7. Press the [▼] or [▲] key to select [Enable], and then press the [OK] key.
8. Press the [Menu] key to return to the Initial screen.
9. Turn off the machine, and then turn it back on.
10. Press the [Menu] key.
11. Press the [▼] or [▲] key to select [Wi-Fi Setup Wizard], and then press the [OK] key.
12. Enter the administrator password if required.
13. Press the [▼] or [▲] key to select SSID of the router (access point) from the searched SSID list, and then press the [OK] key.
14. Press the [▼] or [▲] key to select the authentication method, and then press the [OK] key.

The next steps differ depending on the authentication method that you have selected. Proceed to Step 18 of the appropriate section.

- If the authentication method is set to [WPA2-PSK] or [Mixed Mode], proceed to Step 18.
- If the authentication method is set to [Open System] or [Shared Key], proceed to Step 21.

15. Enter the encryption key using the [▼] or [▲] key, and then press the [OK] key.

As the passphrase, you can enter either 8 to 63 ASCII characters (0x20-0x7e) or 64 hexadecimal digits (0-9, A-F, a-f).

- To go to the next characters, press the [OK] key.
- Press the [Escape] key to clear all characters.

16. Press the [OK] key.

After connecting to the network, the Wi-Fi screen is displayed.

17. Press the [▼] or [▲] key to select [Wi-Fi Status], and then press the [OK] key.

When "Connected" is displayed, the connection has been established.

- When "Connecting" is displayed, the connection is being established.
- When "Disconnected" is displayed, the connection has not been established. Start again from the beginning.

18. Press the [▼] or [▲] key to select the encryption method, and then press the [OK] key.

The maximum number of characters that can be entered in the encryption key field depends on the encryption method settings.

19. Enter the encryption key using the [▼] or [▲] key, and then press the [OK] key.

- To go to the next characters, press the [OK] key.
- Press the [Back] key to clear all characters.

20. Enter the ID using the [▼] or [▲] key, and then press the [OK] key.

The ID is used for identifying the encryption key. You can register four encryption keys (ID 1 to 4).



**21. Press the [OK] key.**

After connecting to the network, the Wi-Fi screen is displayed.

**22. Press the [▼] or [▲] key to select [Wi-Fi Status], and then press the [OK] key.**

When "Connected" is displayed, the connection has been established.

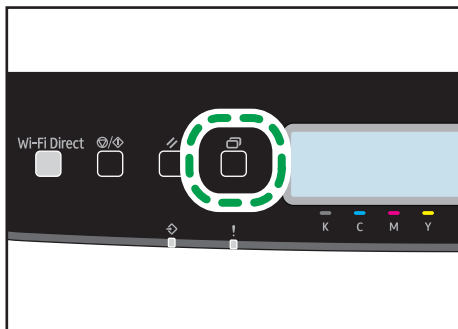
- When "Connecting" is displayed, the connection is being established.
- When "Disconnected" is displayed, the connection has not been established. Start again from the beginning.

## Using the WPS Button

A router (access point) is needed to set up a connection.

Make sure the Ethernet cable is not connected to the machine.

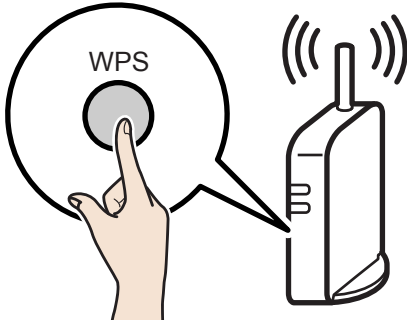
1. Check that the router (access point) is working correctly.
2. Press the [Menu] key.



ECB202

3. Press the [▼] or [▲] key to select [Network Settings], and then press the [OK] key.
4. Enter the administrator password if required.
5. Press the [▼] or [▲] key to select [Wireless (Wi-Fi)], and then press the [OK] key.
6. Press the [▼] or [▲] key to select [Enable Wireless (Wi-Fi)], and then press the [OK] key.
7. Press the [▼] or [▲] key to select [Enable], and then press the [OK] key.
8. Press the [Menu] key to return to the Initial screen.
9. Turn off the machine, and then turn it back on.
10. Press the [Menu] key.
11. Press the [▼] or [▲] key to select [Network Settings], and then press the [OK] key.
12. Enter the administrator password if required.
13. Press the [▼] or [▲] key to select [Wireless (Wi-Fi)], and then press the [OK] key.
14. Press the [▼] or [▲] key to select [WPS], and then press the [OK] key.

15. Press the [▼] or [▲] key to select [PBC], and then press the [OK] key.
16. Press [◀] or [▶] key to select [Yes], and then press the [OK] key.
17. After "Connecting..." appears, press the WPS button on the router (access point) within two minutes.



CHV607

For details about how to use the WPS button, refer to the manuals for the router (access point).

**18. Check the result.**

- Connection has succeeded:  
Press the [OK] key, and then press the [Menu] key to return to the initial screen.
- Connection has failed:  
Press the [OK] key to return to the screen displayed in Step 13. Check the configuration for the router (access point), then try the connection again.

---

## Using a PIN Code

---

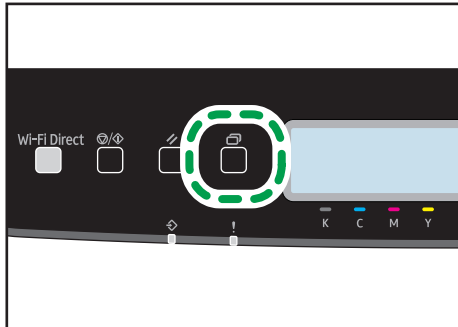
A router (access point) is needed to set up a connection. To establish a connection using the PIN code, use a computer that is connected to the router (access point).

Make sure the Ethernet cable is not connected to the machine.

1. Check that the router (access point) is working correctly.
2. Open the PIN code configuration window (web page) for the router (access point) on your computer.



3. Press the [Menu] key.



ECB202

4. Press the [▼] or [▲] key to select [Network Settings], and then press the [OK] key.
5. Enter the administrator password if required.
6. Press the [▼] or [▲] key to select [Wireless (Wi-Fi)], and then press the [OK] key.
7. Press the [▼] or [▲] key to select [Enable Wireless (Wi-Fi)], and then press the [OK] key.
8. Press the [▼] or [▲] key to select [Enable], and then press the [OK] key.
9. Press the [Menu] key to return to the Initial screen.
10. Turn off the machine, and then turn it back on.
11. Press the [Menu] key.
12. Press the [▼] or [▲] key to select [Network Settings], and then press the [OK] key.
13. Enter the administrator password if required.
14. Press the [▼] or [▲] key to select [Wireless (Wi-Fi)], and then press the [OK] key.
15. Press the [▼] or [▲] key to select [WPS], and then press the [OK] key.
16. Press the [▼] or [▲] key to select [PIN], and then press the [OK] key.
17. Press [◀] or [▶] key to select [Connect], and then press the [OK] key.
18. Check the PIN code.
19. Enter the machine's PIN code (8 digits) on the router (access point)'s web page (The web page accessed in Step 2).
20. Execute WPS (PIN system) from the router (access point)'s web page.
21. Check the result.
  - Connection has succeeded:
    - Press the [OK] key, and then press the [Menu] key to return to the initial screen.
    - Configuring the Wi-Fi settings is complete.
  - Connection has failed:
    - Press the [OK] key to return to the screen displayed in Step 14. Check the configuration for the router (access point), then try the connection again.



# 9. Appendix

This chapter describes the machine specifications and consumables.

## Transmission Using IPsec

For securer communications, this machine supports the IPsec protocol. When applied, IPsec encrypts data packets at the network layer using shared key encryption. The machine uses encryption key exchange to create a shared key for both sender and receiver. To achieve even higher security, you can also renew the shared key on a validity period basis.

### ★ Important

- IPsec is not applied to data obtained through DHCP or DNS.
- IPsec compatible operating systems are Windows 7 or later, Windows Server 2008 or later, OS X 10.10 or later, Red Hat Enterprise Linux 6.8, 6.9, 6.10, 7.4, 7.5, and 7.6. However, some setting items are not supported depending on the operating system. Make sure the IPsec settings you specify are consistent with the operating system's IPsec settings.
- If you cannot access Web Image Monitor due to IPsec configuration problems, disable IPsec under [Admin. Tools] on the control panel, and then access Web Image Monitor.

### ↓ Note

- For details about specifying the IPsec settings using Web Image Monitor, see page 92 "Using Web Image Monitor".

---

## Encryption and Authentication by IPsec

---

IPsec consists of two main functions: the encryption function, which ensures the confidentiality of data, and the authentication function, which verifies the sender of the data and the data's integrity. This machine's IPsec function supports two security protocols: the ESP protocol, which enables both of the IPsec functions at the same time, and the AH protocol, which enables only the authentication function.

### ESP Protocol

The ESP protocol provides secure transmission through both encryption and authentication. This protocol does not provide header authentication.

- For successful encryption, both the sender and receiver must specify the same encryption algorithm and encryption key. The encryption algorithm and encryption key are specified automatically.
- For successful authentication, the sender and receiver must specify the same authentication algorithm and authentication key. The authentication algorithm and authentication key are specified automatically.

## AH Protocol

The AH protocol provides secure transmission through authentication of packets only, including headers.

- For successful authentication, the sender and receiver must specify the same authentication algorithm and authentication key. The authentication algorithm and authentication key are specified automatically.

## AH Protocol + ESP Protocol

When combined, the ESP and AH protocols provide secure transmission through both encryption and authentication. These protocols provide header authentication.

- For successful encryption, both the sender and receiver must specify the same encryption algorithm and encryption key. The encryption algorithm and encryption key are specified automatically.
- For successful authentication, the sender and receiver must specify the same authentication algorithm and authentication key. The authentication algorithm and authentication key are specified automatically.

### Note

- Some operating systems use the term "Compliance" in place of "Authentication".

---

## Security Association

---

This machine uses encryption key exchange as the key setting method. With this method, agreements such as the IPsec algorithm and key must be specified for both sender and receiver. Such agreements form what is known as an SA (Security Association). IPsec communication is possible only if the receiver's and sender's SA settings are identical.

The SA settings are auto configured on both parties' machines. However, before the IPsec SA can be established, the ISAKMP SA (Phase 1) settings must be auto configured. When this is done, the IPsec SA (Phase 2) settings, which allow actual IPsec transmission, will be auto configured.

Also, for further security, the SA can be periodically auto updated by applying a validity period (time limit) for its settings. This machine only supports IKEv1 for encryption key exchange.

Multiple settings can be configured in the SA.

### Settings 1-10

You can configure ten separate sets of SA details (such as different shared keys and IPsec algorithms).

IPsec policies are searched through one by one, starting at [No.1].

## Encryption Key Exchange Settings Configuration Flow

This section explains the procedure for specifying encryption key exchange settings.

Machine	PC
1. Set the IPsec settings on Web Image Monitor.	1. Set the same IPsec settings as the machine on PC.
2. Enable IPsec settings.	2. Enable IPsec settings.
3. Confirm IPsec transmission.	

### Note

- After configuring IPsec, you can use "ping" command to check if the connection is established correctly. Because the response is slow during initial key exchange, it may take some time to confirm that transmission has been established.
- If you cannot access Web Image Monitor due to IPsec configuration problems, disable IPsec under [Admin. Tools] on the control panel, and then access Web Image Monitor.
- For details about disabling IPsec using the control panel, see page 71 "Admin. Tools".

## Specifying Encryption Key Exchange Settings

### Important

- This function is available only when an administrator password is specified.
1. Start the web browser and access the machine by entering its IP address.
  2. Click [IPsec Settings].
  3. Click the [IPsec Policy List] tab.
  4. Select the number of the setting you want to modify in the list, and then click [Change].
  5. Modify the IPsec related settings as necessary.
  6. Enter the administrator password, and then click [Apply].
  7. Click the [IPsec Global Settings] tab, and then select [Active] in [IPsec Function].
  8. If necessary, specify [Default Policy], [Broadcast and Multicast Bypass], and [All ICMP Bypass] also.
  9. Enter the administrator password, and then click [Apply].

### Note

- An administrator password can be specified in the [Administrator] tab.

---

## Specifying IPsec Settings on the Computer

---

Specify exactly the same settings for IPsec SA settings on your computer as are specified for the IPsec Settings on the machine. Setting methods differ according to the computer's operating system. The following procedure is based on Windows 10 in an IPv4 environment as an example.

1. On the [Start] menu, click [Control Panel], [System and Security], and then click [Administrative Tools].
2. Double-click [Local Security Policy], and then click [IP Security Policies on Local Computer].
3. In the "Action" menu, click [Create IP Security Policy...].

The IP Security Policy Wizard appears.

4. Click [Next].
5. Enter a security policy name in "Name", and then click [Next].
6. Clear the "Activate the default response rule" check box, and then click [Next].
7. Select "Edit properties", and then click [Finish].
8. In the "General" tab, click [Settings...].
9. In "Authenticate and generate a new key after every", enter the same validity period (in minutes) that is specified on the machine in [IKE Life Time], and then click [Methods...].
10. Confirm that the Encryption Algorithm ("Encryption"), Hash Algorithm ("Integrity"), and IKE Diffie-Hellman Group ("Diffie-Hellman Group") settings in "Security method preference order" all match those specified on the machine in [IKE Settings].

If the settings are not displayed, click [Add...].

11. Click [OK] twice.
12. Click [Add...] in the "Rules" tab.  
The Security Rule Wizard appears.
13. Click [Next].
14. Select "This rule does not specify a tunnel", and then click [Next].
15. Select the type of network for IPsec, and then click [Next].
16. Click [Add...] in the IP Filter List.
17. In [Name], enter an IP Filter name, and then click [Add...].  
The IP Filter Wizard appears.
18. Click [Next].
19. In [Description:], enter a name or a detailed explanation of the IP filter, and then click [Next].

You may click [Next] and proceed to the next step without entering any information in this field.



20. Select "My IP Address" in "Source address", and then click [Next].
21. Select "A specific IP Address or Subnet" in "Destination address", enter the machine's IP address, and then click [Next].
22. For the IPsec protocol type, select "Any", and then click [Next].
23. Click [Finish], and then click [OK].
24. Select the IP filter that you have just created, and then click [Next].
25. Click [Add...] in the Filter Action.  
The Filter Action Wizard appears.
26. Click [Next].
27. In [Name], enter a Filter Action name, and then click [Next].
28. Select "Negotiate security", and then click [Next].
29. Select one of options for computers allowed to communicate with, and then click [Next].
30. Select "Custom" and click [Settings...].
31. When [ESP] is selected for the machine in [Security Protocol] under [IPsec Settings], select [Data integrity and encryption (ESP)], and configure the following settings:  
Set the value of [Integrity algorithm] to the same value as the [Authentication Algorithm for ESP] specified on the machine.  
Set the value of [Encryption algorithm] to the same value as the [Encryption Algorithm for ESP] specified on the machine.
32. When [AH] is selected for the machine in [Security Protocol] under [IPsec Settings], select [Data and address integrity without encryption (AH)], and configure the following settings:  
Set the value of [Integrity algorithm] to the same value as the [Authentication Algorithm for AH] specified on the machine.  
Clear the [Data integrity and encryption (ESP)] check box.
33. When [ESP&AH] is selected for the machine in [Security Protocol] under [IPsec Settings], select [Data and address integrity without encryption (AH)], and configure the following settings:  
Set the value of [Integrity algorithm] under [Data and address integrity without encryption (AH)] to the same value as [Authentication Algorithm for AH] specified on the machine.  
Set the value of [Encryption algorithm] under [Data integrity and encryption (ESP)] to the same value as [Encryption Algorithm for ESP] specified on the machine.
34. In the Session key settings, select "Generate a new key every", and enter the same validity period (in [Seconds] or [Kbytes]) as that specified for [Life Time] on the machine.
35. Click [OK], and then click [Next].

**36. Click [Finish].**

If you are using IPv6, you must repeat this procedure from Step 12 and specify ICMPv6 as an exception. When you reach Step 22, select [58] as the protocol number for the "Other" target protocol type, and then set [Negotiate security] to [Permit].

**37. Select the filter action that you have just created, and then click [Next].**

**38. Select one of options for an authentication method, and then click [Next].**

**39. Click [Finish], and then click [OK] twice.**

The new IP security policy (IPsec settings) is specified.

**40. Click [IP Security Policies on Local Computer].**

**41. Select the security policy that you have just created, right click on it, and then click [Assign].**

IPsec settings on the computer are enabled.

**Note**

- To disable the computer's IPsec settings, select the security policy, right click, and then click [Unassign].

---

## Enabling and Disabling IPsec Using the Control Panel

---

**Important**

- This function is available only when an administrator password is specified.
1. Press the [Menu] key.
  2. Press the [▲] or [▼] key to select [Admin. Tools], and then press the [OK] key.
  3. Enter the administrator password if required.
  4. Press the [▲] or [▼] key to select [IPsec], and then press the [OK] key.
  5. Press the [▲] or [▼] key to select [Active] or [Inactive] and then press the [OK] key.
  6. Press the [Menu] key to return to the initial screen.

## Notes About the Toner

- Proper operation cannot be guaranteed if any third-party toner is used.
- Depending on printing conditions, there are cases where the printer cannot print the number of sheets indicated in the specifications.
- Replace the print cartridge if the printed image suddenly becomes pale or blurred.
- When operating the machine for the first time, use the print cartridge supplied with this machine. If this cartridge is not initially used, the following problems may occur:
  - "Replace Required Soon:" "Print Cartridge (XX)" will be displayed before the toner runs out.
  - "Replacement Required:" "Print Cartridge (XX)" will be displayed when the toner runs out, but instead the printed image suddenly becomes pale or blurred.
- The lifetime of the photo conductor, which is built into the print cartridge, is taken into account in displaying "Replace Required Soon:" "Print Cartridge (XX)". If the photo conductor stops working before the toner runs out, "Replace Required Soon:" "Print Cartridge (XX)" may be displayed.



# Specifications of the Machine



This section lists the machine's specifications.

## ↓ Note

- We have obtained each author's permission for the use of applications including open-source software applications. For details about the copyright information for these software applications, see "OSS.pdf" on the CD-ROM supplied with the machine.

## General Function Specifications

Item	Description
Configuration	Desktop
Print process	Laser electrostatic transfer
Maximum paper size for printing	Legal (8 <sup>1</sup> / <sub>2</sub> × 14 inches)
Warm-up time (23 °C, 71.6 °F)	20 seconds or less
Paper sizes	For details, see page 40 "Supported Paper".
Paper type	For details, see page 40 "Supported Paper".
Paper output capacity (80 g/m <sup>2</sup> , 20 lb)	150 sheets
Paper input capacity (80 g/m <sup>2</sup> , 20 lb)	<ul style="list-style-type: none"> <li>• Tray 1 250 sheets</li> <li>• Tray 2 500 sheets</li> <li>• Bypass tray 1 sheet</li> </ul>
Memory	256MB
Power requirements	 <b>Region A</b> 220-240 V, 6 A, 50/60 Hz  <b>Region B</b> 120-127 V, 11 A, 60 Hz

Item	Description
<p>Power consumption  <b>Region A</b></p> <p>The power level when the main switch is turned off and the power cord is plugged into an outlet: 1 W or less</p>	<ul style="list-style-type: none"> <li>• Maximum 1300 W or less</li> <li>• Ready 32.8 W</li> <li>• During printing Color: 450 W B&amp;W: 412 W</li> </ul>
<p>Power consumption  <b>Region B</b></p> <p>The power level when the main switch is turned off and the power cord is plugged into an outlet: 1 W or less</p>	<ul style="list-style-type: none"> <li>• Maximum 1300 W or less</li> <li>• Ready 30.5 W</li> <li>• During printing Color: 461 W B&amp;W: 420 W</li> </ul>
<p>Noise emission</p>	<ul style="list-style-type: none"> <li>• Sound power level Stand-by: 29.4 dB (A) During printing: Color: 65.1 dB (A) B&amp;W: 64.8 dB (A)</li> <li>• Sound pressure level Stand-by: 20.5 dB (A) During printing: Color: 54.8 dB (A) B&amp;W: 53.8 dB (A)</li> </ul>
<p>Machine dimensions (Width × Depth × Height)</p>	<p>400 × 450 × 334 mm (15.8 × 17.8 × 13.1 inches)</p>
<p>Weight (machine body with consumables)</p>	<p>25 kg (56 lb.) or less</p>

 **Note**

- Sound power level and sound pressure level are actual values measured in accordance with ISO 7779.
- Sound pressure level is measured from the position of the bystander.

## Printer Function Specifications

Item	Description
Printing speed	Black and white: 25 pages per minute (Simplex/Letter), 13.5 pages per minute (Duplex/Letter) Color: 25 pages per minute (Simplex/Letter), 13.5 pages per minute (Duplex/Letter)
Resolution	600 × 600 dpi
First print speed	10 seconds or less
Interface	<ul style="list-style-type: none"> <li>• Ethernet (10BASE-T, 100BASE-TX)</li> <li>• USB 2.0</li> <li>• Wi-Fi</li> <li>• USB2.0 Host</li> </ul>
Printer language	PCL6, PCL5c, PostScript3
Fonts (PCL6, PCL5c, PostScript3)	80 fonts

## Paper Feed Unit TK1220

### Paper capacity

500 sheets

### Paper size

For details, see page 40 "Supported Paper".

### Dimensions (Width × Depth × Height)

400 × 450 × 127 mm (15.8 × 17.8 × 5 inches)

### Paper weight

For details, see page 40 "Supported Paper".

**Weight**

Less than 4 kg (8.9 lb.)

# Consumables

## CAUTION

- Our products are engineered to meet high standards of quality and functionality, and we recommend that you use only the expendable supplies available at an authorized dealer.

## Print Cartridge

Print cartridge	Average printable number of pages per cartridge <sup>*1</sup>
Black	P C300W: 2,300 pages P C301W: 6,900 pages
Cyan	P C300W: 2,300 pages P C301W: 6,300 pages
Magenta	P C300W: 2,300 pages P C301W: 6,300 pages
Yellow	P C300W: 2,300 pages P C301W: 6,300 pages

\*1 The printable number of pages is based on pages that are compliant with ISO/IEC 19798 and the image density set as the factory default. ISO/IEC 19798 is an international standard on measurement of printable pages, set by the International Organization for Standardization.

### Note

- For information about consumables, see our website.
- If print cartridges are not changed when necessary, printing will become impossible. For easy replacement, we recommend you purchase and store extra print cartridges.
- The actual number of printable pages varies depending on the image volume and density, number of pages printed at a time, paper type and paper size used, and environmental conditions such as temperature and humidity.
- Print cartridges may need to be changed sooner than indicated above due to deterioration over the period of use.
- Print cartridges (consumables) are not covered by warranty. However, if there is a problem, contact the store where they were purchased.
- When you first use this machine, use the print cartridges packaged with the machine.
- The supplied print cartridges are good for approximately 1,000 pages.



- This machine routinely performs cleaning and uses toner during this operation to maintain quality.
- To prevent a cleaning malfunction, you may need to replace a print cartridge even if it is not empty.

## Waste Toner Bottle

Name	Average printable number of pages per cartridge <sup>*1</sup>
Waste Toner Bottle SP C220	25,000 pages

\*1 A4/Letter 5% test chart, 3 pages per job, printing in 50% black and white/color.

### ↓ Note

- The actual number of printable pages varies depending on the image volume and density, number of pages printed at a time, paper type and paper size used, and environmental conditions such as temperature and humidity.
- If the waste toner bottle is not changed when necessary, printing will become impossible. For easy replacement, we recommend you purchase and store extra waste toner bottles.

# Information for This Machine

---

## User Information on Electrical & Electronic Equipment Region **A** (mainly Europe and Asia)

---

### Users in the countries where this symbol shown in this section has been specified in national law on collection and treatment of E-waste

---

Our Products contain high quality components and are designed to facilitate recycling.

Our products or product packaging are marked with the symbol below.



The symbol indicates that the product must not be treated as municipal waste. It must be disposed of separately via the appropriate return and collection systems available. By following these instructions you ensure that this product is treated correctly and help to reduce potential impacts on the environment and human health, which could otherwise result from inappropriate handling. Recycling of products helps to conserve natural resources and protect the environment.

For more detailed information on collection and recycling systems for this product, please contact the shop where you purchased it, your local dealer or sales/service representatives.

### All Other Users

---

If you wish to discard this product, please contact your local authorities, the shop where you bought this product, your local dealer or sales/service representatives.

### For Users in India

---

This product including components, consumables, parts and spares complies with the "India E-waste Rule" and prohibits use of lead, mercury, hexavalent chromium, polybrominated biphenyls or polybrominated diphenyl ethers in concentrations exceeding 0.1 weight % and 0.01 weight % for cadmium, except for the exemptions set in the Rule.

## For Turkey only

AEEE Yönetmeliğine Uygundur.

Bu sistem sarf malzemeleri ve yedek parçaları da dahil olmak üzere AEEE Yönetmeliğine Uygundur.

### Üretici:

Ricoh Company, Ltd.

3-6, Nakamagome 1-chome,

Ohta-ku, Tokyo 143-8555 Japan

+81-3-3777-8111 (English only/Sadece İngilizce)

## Note for the Battery and/or Accumulator Symbol (For EU countries only)



In accordance with the Battery Directive 2006/66/EC Article 20 Information for end-users Annex II, the above symbol is printed on batteries and accumulators.

This symbol means that in the European Union, used batteries and accumulators should be disposed of separately from your household waste.

In the EU, there are separate collection systems for not only used electrical and electronic products but also batteries and accumulators.

Please dispose of them correctly at your local community waste collection/recycling centre.

## Environmental Advice for Users Region A (mainly Europe)

### Users in the EU, Switzerland and Norway

#### Consumables yield

Please refer to either the User's Manual for this information or the packaging of the consumable.

#### Recycled paper

The machine can use recycled paper which is produced in accordance with European standard EN 12281:2002 or DIN 19309. For products using EP printing technology, the machine can print on 64 g/m<sup>2</sup> paper, which contains less raw materials and represents a significant resource reduction.

### **Duplex printing (if applicable)**

Duplex printing enables both sides of a sheet of paper to be used. This saves paper and reduces the size of printed documents so that fewer sheets are used. We recommend that this feature is enabled whenever you print.

### **Toner and ink cartridge return program**

Toner and ink cartridge for recycling will be accepted free of charge from users in accordance with local regulations.

For details about the return program, please refer to the Web page below or consult your service person.

<https://www.rioh-return.com/>

### **Energy efficiency**

The amount of electricity a machine consumes depends as much on its specifications as it does on the way you use it. The machine is designed to allow you to reduce electricity costs by switching to Ready mode after it prints the last page. If required, it can immediately print again from this mode. If no additional prints are required and a specified period of time passes, the device switches to an energy saving mode.

In these modes, the machine consumes less power (watts). If the machine is to print again, it needs a little longer to return from an energy saving mode than from Ready mode.

For maximum energy savings, we recommend that the default setting for power management is used.

---

## **Note to Users EU Countries**

---

Model Name: P C300W, P C301W

Manufacturer:

Ricoh Co., Ltd.

3-6 Nakamagome 1-chome, Ohta-ku, Tokyo. 143-8555, Japan

Importer:

Ricoh Europe SCM B.V.

Blankenweg 24, 4612 RC Bergen op Zoom, The Netherlands

Declaration of Conformity

Notice to Users in EEA Countries

This product complies with the essential requirements and provisions of Directive 2014/53/EU.

The CE Declaration of Conformity is available by accessing the URL:

[https://www.rioh.com/products/ce\\_doc2/](https://www.rioh.com/products/ce_doc2/)

and selecting the product applicable.

Operating frequency band: 2412-2462 MHz, 5150-5350MHz

RF Output Power: 17dBm - 802.11b / 15dBm – 802.11g / 13dBm – 802.11a / 13dBm – 802.11n / 11dBm – 802.11ac

Operating frequency band: 13.56Mhz

Maximum radio-frequency power: less than 42dBµA/m (at 10m)

\* Maximum radio-frequency power is depended on power value of reader/writer device.

Outdoor use of the 5GHz band is prohibited.

As this equipment with the radiating part is not intended to be used in close proximity to the human body, it is recommended to use at least 20cm apart from the user.

---

## Notes to users in the state of California (Notes to Users in USA)

---

Perchlorate Material - special handling may apply. See: [www.dtsc.ca.gov/hazardouswaste/perchlorate](http://www.dtsc.ca.gov/hazardouswaste/perchlorate)

---

## Notes to users in the United States of America

---

---

### FCC Rules

---

#### Note:

This equipment has been tested and found to comply with the limits for a Class B digital device, pursuant to Part 15 of the FCC Rules. These limits are designed to provide reasonable protection against harmful interference in a residential installation. This equipment generates, uses and can radiate radio frequency energy and, if not installed and used in accordance with the instructions, may cause harmful interference to radio communications. However, there is no guarantee that interference will not occur in a particular installation. If this equipment does cause harmful interference to radio or television reception, which can be determined by turning the equipment off and on, the user is encouraged to try to correct the interference by one or more of the following measures:

- Reorient or relocate the receiving antenna.
- Increase the separation between the equipment and receiver.
- Connect the equipment into an outlet on a circuit different from that to which the receiver is connected.
- Consult the dealer or an experienced radio /TV technician for help.

**Caution:**

Changes or modifications not expressly approved by the party responsible for compliance could void the user's authority to operate the equipment.

This transmitter must not be co-located or operated in conjunction with any other antenna or transmitter.

Frequency Tolerance:  $\pm 12.5$  ppm

Compliance with FCC requirement 15.407(c)

Data transmission is always initiated by software, which is then passed down through the MAC, through the digital and analog baseband, and finally to the RF chip. Several special packets are initiated by the MAC. These are the only ways the digital baseband portion will turn on the RF transmitter, which it then turns off at the end of the packet. Therefore, the transmitter will be on only while one of the aforementioned packets is being transmitted. In other words, this device automatically discontinues transmission in case of either absence of information to transmit or operational failure.

Federal Communication Commission (FCC) Radiation Exposure Statement

This EUT is compliance with SAR for general population/uncontrolled exposure limits in ANSI/IEEE C95.1-1999 and had been tested in accordance with the measurement methods and procedures specified in OET Bulletin 65 Supplement C. This equipment should be installed and operated with minimum distance 0.5cm between the radiator & your body.

**Supplier's Declaration of Conformity**

This device complies with Part 15 of the FCC Rules.

Operation is subject to the following two conditions:

- (1) This device may not cause harmful interference, and
- (2) this device must accept any interference received, including interference that may cause undesired operation.

Responsible party: Ricoh USA, Inc.

Address: 70 Valley Stream Parkway Malvern, Pennsylvania 19355

Telephone number: 610-296-8000

Product Name: Printer

Model Number: P C301W

---

**Notes to Canadian Users of Wireless Devices**

---

This device complies with Industry Canada's licence-exempt RSSs.

Operation is subject to the following two conditions:

- (1) This device may not cause interference; and
- (2) This device must accept any interference, including interference that may cause undesired operation of the device.

### Federal Communication Commission (FCC) Radiation Exposure Statement

This EUT is compliance with SAR for general population/uncontrolled exposure limits in ANSI/IEEE C95.1-1999 and had been tested in accordance with the measurement methods and procedures specified in OET Bulletin 65 Supplement C. This equipment should be installed and operated with minimum distance 0.5cm between the radiator & your body.

5150-5250 MHz band is restricted to indoor operation only.

5250-5350 MHz band is restricted to indoor operation only.

Compliance with ISED requirement RSS-247 6.4 a) Data transmission is always initiated by software, which is the passed down through the MAC, through the digital and analog baseband, and finally to the RF chip. Several special packets are initiated by the MAC. These are the only ways the digital baseband portion will turn on the RF transmitter, which it then turns off at the end of the packet.

Therefore, the transmitter will be on only while one of the aforementioned packets is being transmitted. In other words, this device automatically discontinues transmission in case of either absence of information to transmit or operational failure.

### Remarques à l'attention des utilisateurs canadiens d'appareils sans fil

Le présent appareil est conforme aux CNR d'Industrie Canada applicables aux appareils radio exempts de licence.

L'exploitation est autorisée aux deux conditions suivantes :

- (1) l'appareil ne doit pas produire de brouillage, et
- (2) l'utilisateur de l'appareil doit accepter tout brouillage radioélectrique subi, même si le brouillage est susceptible d'en compromettre le fonctionnement.

Cet EUT est conforme à la norme SAR pour la population générale / limites d'exposition non contrôlées selon la norme ANSI / IEEE C95.1-1999 et a été testé conformément aux méthodes et procédures de mesure spécifiées dans le CNR-102. Cet équipement doit être installé et utilisé à une distance minimale. 0.5 cm entre le radiateur et votre corps.

La bande 5150-5250 MHz est restreinte à une utilisation à l'intérieur seulement.

La bande 5250-5350 MHz est restreinte à une utilisation à l'intérieur seulement.

Conformité à la norme CNR-247 6.4 a) La transmission des données est toujours initiée par le logiciel, puis les données sont transmises par l'intermédiaire du MAC, par la bande de base numérique et analogique et, enfin, à la puce RF. Plusieurs paquets spéciaux sont initiés par le MAC. Ce sont les seuls moyens pour qu'une partie de la bande de base numérique active l'émetteur RF, puis désactive celui-ci à la fin du paquet. En conséquence, l'émetteur reste uniquement activé lors de la transmission d'un des paquets susmentionnés. En d'autres termes, ce dispositif interrompt automatiquement toute transmission en cas d'absence d'information à transmettre ou de défaillance.

---

## ENERGY STAR Program Region B

---

### ENERGY STAR® Program Requirements for Imaging Equipment



The ENERGY STAR® Program Requirements for Imaging Equipment encourage energy conservation by promoting energy efficient computers and other office equipment.

The program backs the development and dissemination of products that feature energy saving functions.

It is an open program in which manufacturers participate voluntarily.

Targeted products are computers, monitors, printers, facsimiles, copiers, scanners, and multifunction devices. Energy Star standards and logos are internationally uniform.

---

## Saving Energy

---

9

This machine is equipped with the following Energy Saver modes: Energy Saver mode 1 and Energy Saver mode 2. If the machine has been idle for a certain period of time, the machine automatically enters Energy Saver mode.

The machine recovers from Energy Saver mode when it receives a print job or when any key is pressed.

### **Energy Saver mode 1**

The machine enters Energy Saver mode 1 if the machine has been idle for about 30 seconds. It takes less time to recover from Energy Saver mode 1 than from power-off state or Energy Saver mode 2, but power consumption is higher in Energy Saver mode 1 than in Energy Saver mode 2.





### **Energy Saver mode 2**

The machine enters Energy Saver mode 2 after the period of time specified for this setting is passed. Power consumption is lower in Energy Saver mode 2 than in Energy Saver mode 1, but it takes longer to recover from Energy Saver mode 2 than from Energy Saver mode 1.

After printing in Energy Saver mode 2, the power is turned off without waiting for 1 minute.



## Specifications


Energy Saver mode 1	Power Consumption <sup>*1</sup>	 <b>Region A</b> 25.2 W  <b>Region B</b> 24.7 W
	Default Time	30 seconds
	Recovery Time <sup>*1</sup>	10 seconds or less
Energy Saver mode 2	Power Consumption <sup>*1</sup>	 <b>Region A</b> 0.66 W  <b>Region B</b> 0.64 W
	Default Time	1 minute
	Recovery Time <sup>*1</sup>	12 seconds
Duplex Function <sup>*2</sup>		Standard

\*1 Recovery time and power consumption may differ depending on the conditions and environment of the machine.

\*2 Achieves ENERGY STAR energy savings; product fully qualifies when packaged with (or used with) a duplex tray and the duplex function is enabled as an option.

For details about Energy Saver modes, see page 77 "System Settings".

### Note

- If the machine is in Energy Saver mode for 24 hours continuously, the machine automatically returns to normal state and performs self-maintenance.
-  **Region A** (mainly Europe)  
The power is automatically switched off if the machine is left idle in standby mode for 2 hours.

# Trademarks

Adobe and Acrobat are either registered trademarks or trademarks of Adobe Systems Incorporated in the United States and/or other countries.

Android, Google Chrome, and Google Play are trademarks or registered trademarks of Google LLC.

OS X, macOS, TrueType, App Store, and Safari are trademarks of Apple Inc., registered in the U.S. and other countries.

Firefox® is a registered trademark of the Mozilla Foundation.

IOS is a trademark or registered trademark of Cisco in the U.S. and other countries and is used under license.

Java is a registered trademark of Oracle and/or its affiliates.

LINUX® is the registered trademark of Linus Torvalds in the U.S. and other countries.

Microsoft®, Windows®, Windows Server®, and Internet Explorer® are either registered trademarks or trademarks of Microsoft Corporation in the United States and/or other countries.

PCL® is a registered trademark of Hewlett-Packard Company.

QR Code is a registered trademark of DENSO WAVE INCORPORATED in Japan and in other countries.

Red Hat is a registered trademark of Red Hat, Inc.

Wi-Fi® and Wi-Fi Direct® are registered trademarks of Wi-Fi Alliance.

The proper names of Internet Explorer 9, 10 and 11 are as follows:

- Windows® Internet Explorer® 9
- Internet Explorer® 10
- Internet Explorer® 11

The proper name of Edge is Microsoft® Edge™.

The proper names of the Windows operating systems are as follows:

- The product names of Windows 7 are as follows:
  - Microsoft® Windows® 7 Home Premium
  - Microsoft® Windows® 7 Professional
  - Microsoft® Windows® 7 Ultimate
  - Microsoft® Windows® 7 Enterprise
- The product names of Windows 8.1 are as follows:
  - Microsoft® Windows® 8.1
  - Microsoft® Windows® 8.1 Pro
  - Microsoft® Windows® 8.1 Enterprise
- The product names of Windows 10 are as follows:

Microsoft® Windows® 10 Home Premium

Microsoft® Windows® 10 Pro

Microsoft® Windows® 10 Enterprise

Microsoft® Windows® 10 Education

- The product names of Windows Server 2008 are as follows:

Microsoft® Windows Server® 2008 Standard

Microsoft® Windows Server® 2008 Enterprise

- The product names of Windows Server 2008 R2 are as follows:

Microsoft® Windows Server® 2008 R2 Standard

Microsoft® Windows Server® 2008 R2 Enterprise

- The product names of Windows Server 2012 are as follows:

Microsoft® Windows Server® 2012 Foundation

Microsoft® Windows Server® 2012 Essentials

Microsoft® Windows Server® 2012 Standard

- The product names of Windows Server 2012 R2 are as follows:

Microsoft® Windows Server® 2012 R2 Foundation

Microsoft® Windows Server® 2012 R2 Essentials

Microsoft® Windows Server® 2012 R2 Standard

- The product names of Windows Server 2016 are as follows:

Microsoft® Windows Server® 2016 Standard

Microsoft® Windows Server® 2016 Essentials

Other product names used herein are for identification purposes only and might be trademarks of their respective companies. We disclaim any and all rights to those marks.

Microsoft product screen shots reprinted with permission from Microsoft Corporation.



# INDEX

@Remote.....	89	Encryption key exchange.....	189
<b>A</b>		Energy saver mode.....	123, 206
Admin. Tools.....	71	Error messages.....	149
Administrator password.....	11, 71, 121	Extending tray 1.....	29
Administrator settings.....	121	Exterior.....	13
Attaching Paper Feed Unit TK1220.....	19	<b>F</b>	
Authentication.....	187	Fusing Unit.....	136
Auto e-mail notification settings.....	110	<b>G</b>	
<b>B</b>		General status.....	107
B&W print priority.....	102	<b>I</b>	
Backup settings.....	121	I/O timeout.....	102
Bypass tray.....	31, 100	IKE settings.....	116
Bypass tray setting priority.....	99	Interior.....	16
<b>C</b>		Intermediate transfer unit.....	136
Cleaning.....	137, 138, 140, 143	Introduction.....	9
Community.....	111	IPsec global settings.....	116
Confidential document.....	63	IPsec policy settings.....	116
Configuration page.....	120	IPsec settings.....	116
Configuring Network Settings		IPsec transmission.....	187
Ethernet.....	179	IPv6 configuration.....	108
Wireless LAN.....	181	IPv6 environment.....	108
Configuring the machine		<b>J</b>	
Printing the configuration page.....	88	Job cancel.....	61
Using the control panel.....	69	<b>L</b>	
Confirming information		Language.....	94
Printer driver settings.....	57	List of Option.....	11
Consumables.....	198	List/Test Print.....	88
Control panel.....	17	Lists.....	88, 120
Counter information.....	96	Loading paper.....	26
<b>D</b>		Locked Print.....	64, 65
Default settings.....	121	<b>M</b>	
Disclaimer.....	10	Machine information.....	98
DNS setting.....	109	Maintaining the machine	
Duplex.....	98	Cleaning the machine.....	137, 140
<b>E</b>		Replacing the print cartridge.....	125
E-mail notification 1.....	110	Maintenance page.....	88, 120
E-mail notification 2.....	110	mDNS setting.....	108
Economy Color Prints.....	97	Menu chart.....	70
Encryption.....	187	Messages.....	149

Model-specific information.....	9	Print cartridge.....	125, 198
Moving.....	146	Print counter.....	96
<b>N</b>			
Network application.....	108	Print functions.....	66
Network print setting.....	108	Print output functions.....	67
Network settings.....	84, 107	Print quality functions.....	66
Network status.....	107	Printer settings.....	73
Non-recommended paper.....	50	Priority tray.....	100
Notes.....	193	<b>R</b>	
<b>O</b>			
Operation Tools.....	22	Replacing the Fusing Unit and Transfer Rollor..	136
Option settings.....	54	Replacing the intermediate transfer unit.....	136
<b>P</b>			
Page counter.....	96	Report.....	88
Paper Feed Unit TK1220.....	19, 196	Reports.....	120
Paper jam.....	154, 157, 159, 161	Reset settings.....	121
Paper mismatch.....	60	Restore settings.....	122
Paper size.....	34	Restrict user function.....	103, 106
Paper Storage.....	50	<b>S</b>	
Paper tray.....	95	SA (Security Association).....	188
Paper types.....	43	SMTP settings.....	112
Bond Paper.....	43	SNMP settings.....	111
Cardstock.....	43	Specifications.....	194, 196
Color Paper.....	43	Specifying the paper type and paper size... 37, 38	
Envelope.....	43	Status information.....	95
Label Paper.....	43	Status messages.....	149
Letterhead.....	43	Supported paper.....	40
Middle Thick paper.....	43	System.....	111
Plain Paper.....	43	System information.....	95
Preprinted Paper.....	43	System settings.....	99
Prepunched Paper.....	43	System Settings.....	77
Recycled Paper.....	43	<b>T</b>	
Thick Paper 1.....	43	TCP/IP status.....	107
Thick Paper 2.....	43	Toner.....	95
Thin Paper.....	43	Top page.....	93
POP3 settings.....	112	Trademarks.....	208
Print		Transfer Rollor.....	136
Basic operation.....	59	Trap.....	111
Combine.....	53	Tray 1.....	26
Duplex.....	53	Tray 1 priority.....	100
Printing on envelopes.....	32	Tray 2.....	99
Specifications.....	196	Tray paper settings.....	81, 99
Print area.....	51	Troubleshooting	
		Error and status messages on the screen.....	149

---

Other problems..... 162, 163, 166, 169, 177

## U

---

User code..... 106

User restriction..... 11

## W

---

Waste toner bottle..... 130, 199

Web Image Monitor..... 92

What you can do with this machine

Printer function.....53

Wireless LAN settings..... 113

Wireless settings..... 113

---

MEMO



---

MEMO

---

MEMO



